

# UNITY MORTICE LOCK



# UNITY MORTICE LOCK

## Mortice Lock ML1072 Series

### Application

UNITY ML1072 Series Mortice Lock is designed for high frequency usage applications such as public access buildings where deliberate abuse likely takes place

### Specifications and Features

- Modular case across functions for rapid door prepping and installation
- 72mm centers, backset in 50/55/60/65mm
- 8mm follower with spindle gripping function
- Reversible latchbolt in solid stainless steel
- Double throw deadbolt in solid stainless steel with 20mm projection
- Suitable for sprung and most un-sprung lever furniture
- Stainless steel faceplate and strike in square and radius version (radius version improves door prep efficiency with machine routing)
- Compatible with bolt through furniture and escutcheons of 38mm centers

### Standards and Certification



Successfully type-tested for conformity to all of requirement of EN12209: 2003



Successfully passed and exceeded 240-minutes fire test of metal fire door assemblies to EN1634-1: 2014



CE Declaration of Conformity available upon request



Meets the dimensional recommendations of BS8300 and Approved Document "M"



UNITY ML1072 series locks are approved by Certifire.\* Certifire No. CF5333



All EN/CE/Certifire tests performed independently and certified by Exova/ Warrington Fire/Warrington APT. Test report/ certificate are available upon request.

\* Certifire is an independent third party certification scheme that assures performance, quality and traceability of fire protection products



### Forend and Strike Finishes

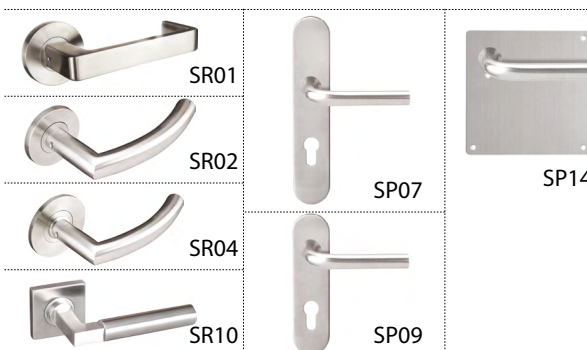


Satin

Matching finish on latchbolt and deadbolt

\*Other finishes available upon request

### Trim Options:



### Lever Options

Suitable with any UNITY lever design

\* Please refer to UNITY Lever Handle catalogue for more detail on Lever and Trim options

# UNITY MORTICE LOCK

## Mortice Lock ML1072 Series Available Functions

### ML107201

**Function**

Sashlock/Entry

**Application**

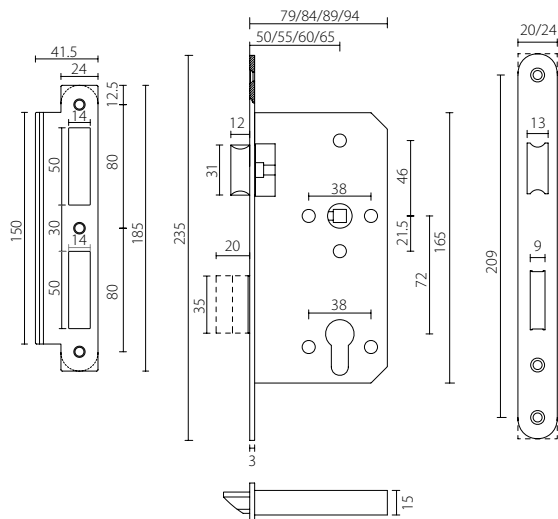
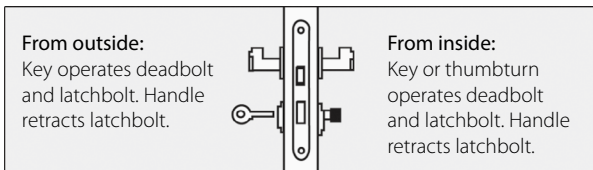
Suitable for latched doors requiring deadbolt locking security.

**EN12209:2003 Classification**

3	X	8	1	0	G	3	B	C	2	0
---	---	---	---	---	---	---	---	---	---	---



**Illustration**



### ML107202

**Function**

Latch/Passage

**Application**

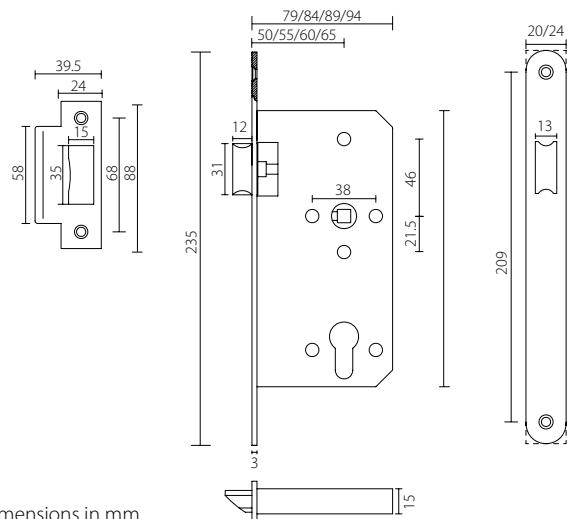
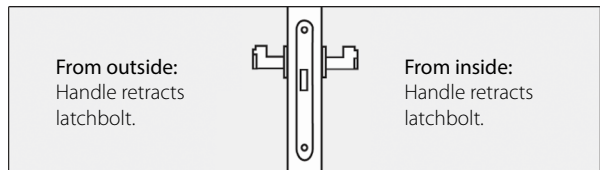
Suitable for latched doors remaining unlocked at all times.

**EN12209:2003 Classification**

3	X	8	1	0	G	-	B	0	2	0
---	---	---	---	---	---	---	---	---	---	---



**Illustration**



\* Dimensions in mm

# UNITY MORTICE LOCK

## Mortice Lock ML1072 Series Available Functions

### ML107203

#### Function

Deadlock/Communicating

#### Application

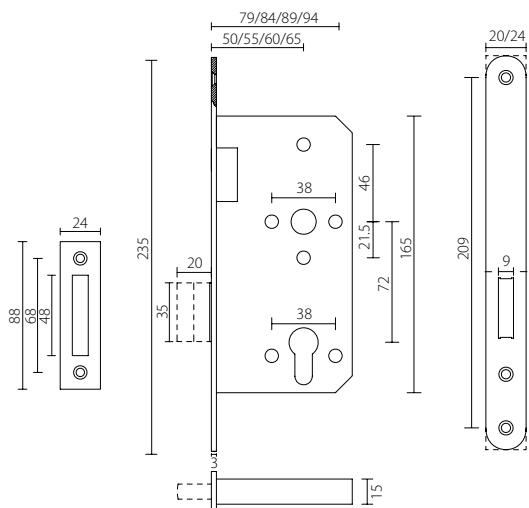
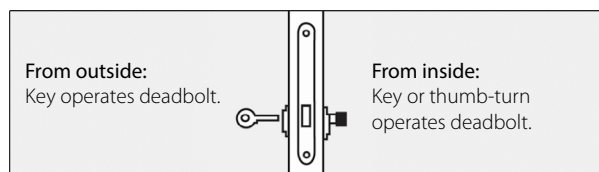
Suitable for unlatched doors with deadbolt locking security.

#### EN12209:2003 Classification

3	X	8	1	0	G	3	B	C	0	0
---	---	---	---	---	---	---	---	---	---	---



#### Illustration



### ML107205

#### Function

Bathroom/Privacy

#### Application

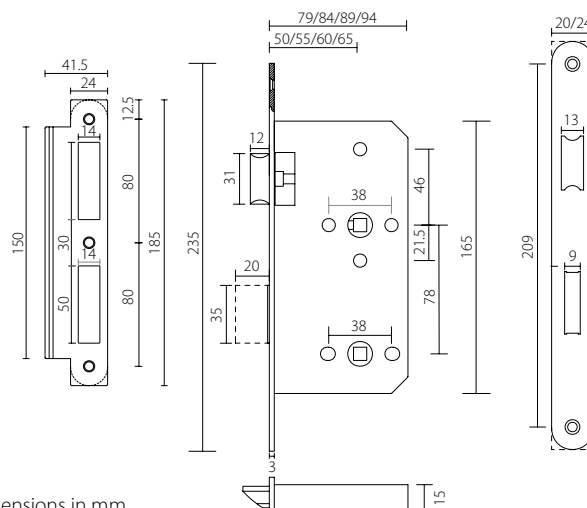
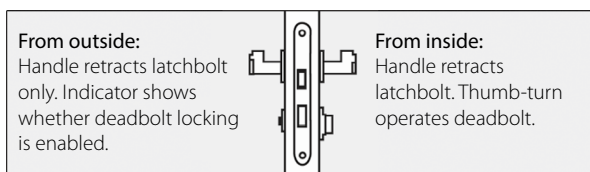
Suitable for bathroom door with deadbolt locking privacy. Emergency unlocking provided by coin release slot.

#### EN12209:2003 Classification

3	X	8	1	0	G	-	B	0	2	0
---	---	---	---	---	---	---	---	---	---	---



#### Illustration



\* Dimensions in mm

# UNITY MORTICE LOCK

## Mortice Lock ML1072 Series Available Functions

### ML107204

#### Function

Nightlatch/Storeroom

#### Application

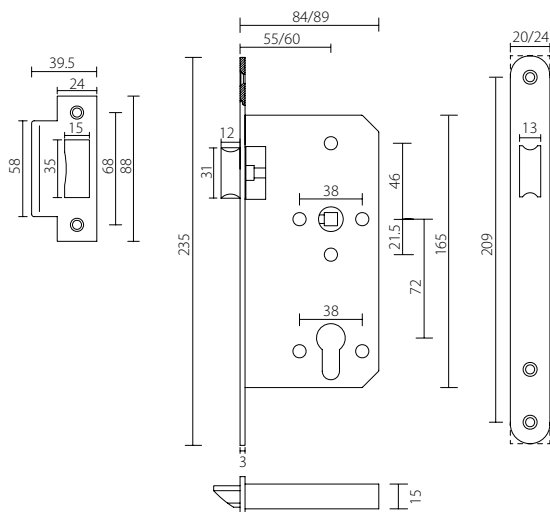
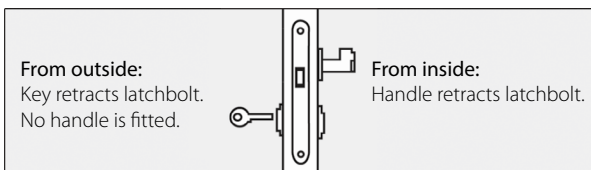
Suitable for latched door with cylinder key operated access from outside and handle access from inside.

#### EN12209:2003 Classification

3	X	8	1	0	G	-	B	0	2	0
---	---	---	---	---	---	---	---	---	---	---



#### Illustration



### ML107206

#### Function

Emergency/Escape Entry

#### Application

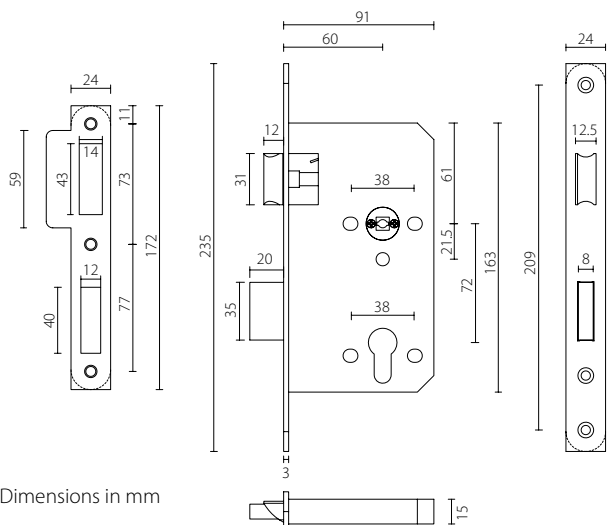
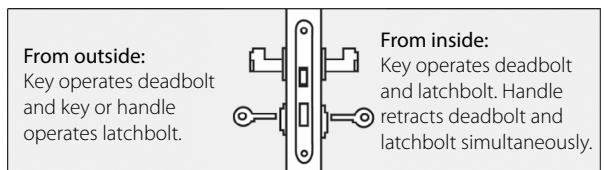
Suitable for escape doors requiring deadbolt locking security from outside, single lever action unlocking and door opening from inside.

#### EN12209:2003 Classification

3	X	8	1	0	G	3	B	C	2	0
---	---	---	---	---	---	---	---	---	---	---



#### Illustration



\* Dimensions in mm

# UNITY MORTICE LOCK

## Mortice Lock ML1072 Series Available Functions

### ML107207

#### Function

Roller Latch (Adjustable)

#### Application

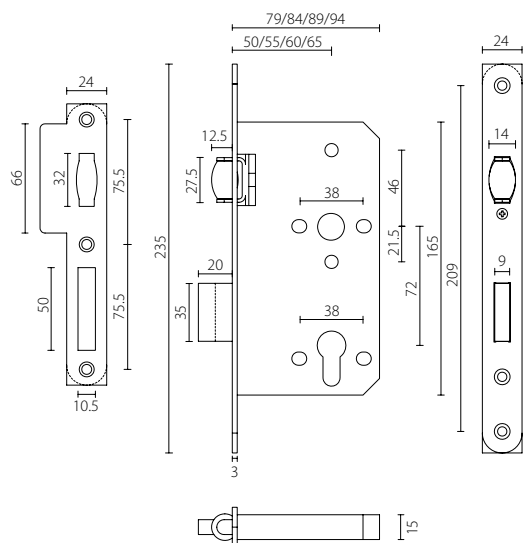
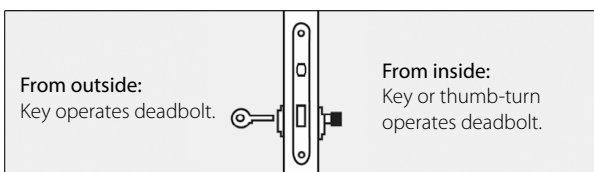
Suitable for doors requiring roller bolt latching. Security provided by deadbolt locking.

#### Classification

3	X	8	1	0	G	3	B	C	0	0
---	---	---	---	---	---	---	---	---	---	---



#### Illustration



### ML107208

#### Function

Classroom

#### Application

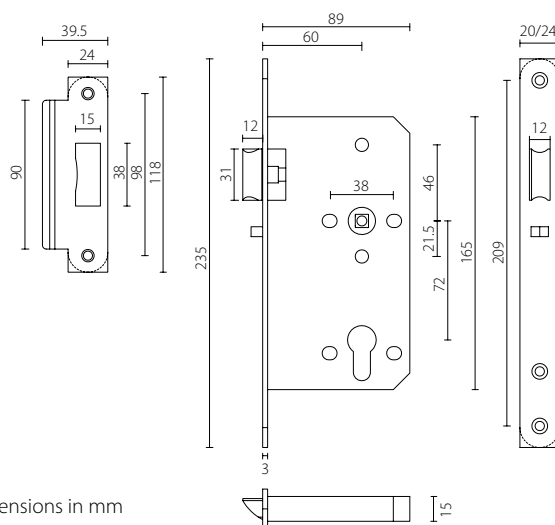
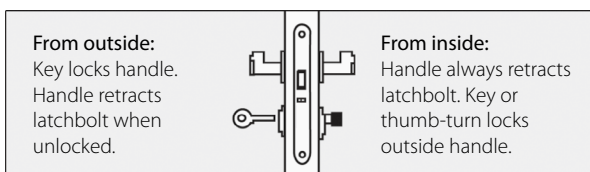
Suitable for doors with security provided by cylinder key locking outside handle. Inside handle always unlocks and opens door.

#### EN12209:2003 Classification

3	X	8	1	0	G	-	B	0	2	0
---	---	---	---	---	---	---	---	---	---	---



#### Illustration



\* Dimensions in mm

# UNITY MORTICE LOCK

## Mortice Lock ML1072 Series Available Functions

### ML107209

#### Function

Anti-thrust Nightlatch

#### Application

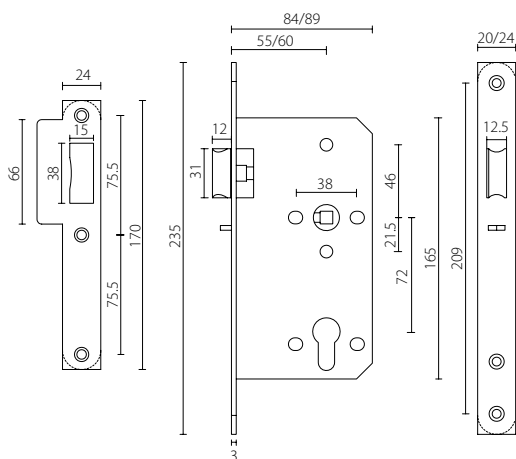
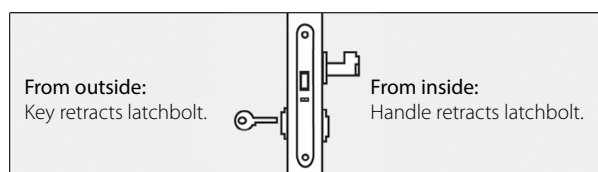
Suitable for doors requiring simple security by blocked latchbolt. Escape option provided by single lever action from inside.

#### EN12209: 2003 Classification

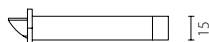
3	X	8	1	0	G	-	B	0	2	0
---	---	---	---	---	---	---	---	---	---	---



#### Illustration



\* Dimensions in mm



# UNITY MORTICE LOCK

## Mortice Lock ML1072 Series Available Functions

**ML107201**  
Sashlock/Entry  
72mm Center



50mm Backset: ML107201-50  
55mm Backset: ML107201-55  
60mm Backset: ML107201-60  
65mm Backset: ML107201-65

**ML107202**  
Latch/Passage  
72mm Center



50mm Backset: ML107202-50  
55mm Backset: ML107202-55  
60mm Backset: ML107202-60  
65mm Backset: ML107202-65

**ML107203**  
Deadlock/  
Communicating  
72mm Center



50mm Backset: ML107203-50  
55mm Backset: ML107203-55  
60mm Backset: ML107203-60  
65mm Backset: ML107203-65

**ML107205**  
Bathroom/Privacy  
78mm Center



50mm Backset: ML107205-50  
55mm Backset: ML107205-55  
60mm Backset: ML107205-60  
65mm Backset: ML107205-65

**ML107204**  
Nightlatch/  
Storeroom  
72mm Center



55mm Backset: ML107204-55  
60mm Backset: ML107204-60

**ML107206**  
Emergency/  
Escape Entry  
72mm Center



60mm Backset: ML107206-60

**ML107207**  
Roller Latch  
72mm Center



55mm Backset: ML107207-55  
60mm Backset: ML107207-60  
65mm Backset: ML107207-65

**ML107208**  
Classroom  
72mm Center



55mm Backset: ML107208-55  
60mm Backset: ML107208-60

**ML107209**  
Anti-thrust  
Nightlatch  
72mm Center



55mm Backset: ML107209-55  
60mm Backset: ML107209-60



# UNITY MORTICE LOCK

## Mortice Lock ML1085 Series

### Application

UNITY ML1085 Series Mortice Lock is designed for high frequency usage applications such as public access buildings where deliberate abuse likely takes place

### Specifications and Features

- Modular case across functions for rapid door prepping and installation
- 85mm centers, backset in 40/45/50/60mm
- 8mm follower with spindle gripping function
- Reversible latchbolt in solid stainless steel
- Double throw deadbolt in solid stainless steel with 20mm projection
- Suitable for sprung and most un-sprung lever furniture
- Stainless steel faceplate and strike in square and radius version (radius version improves door prep efficiency with machine routing)
- Compatible with bolt through furniture and escutcheons of 38mm centers

### Standards and Certification



Successfully type-tested for conformity to all of requirements of EN12209: 2003



Successfully passed and exceeded 240-minutes fire test of metal fire door assemblies to EN1634-1: 2014



CE Declaration of Conformity available upon request



Meets the dimensional recommendations of BS8300 and Approved Document "M"



UNITY ML1085 series locks are approved by Certifire.\* Certifire No. CF5333



All EN/CE/Certifire tests performed independently and certified by Exova/ Warrington Fire/Warrington APT. Test report/ certificate are available upon request.

\* Certifire is an independent third party certification scheme that assures performance, quality and traceability of fire protection products



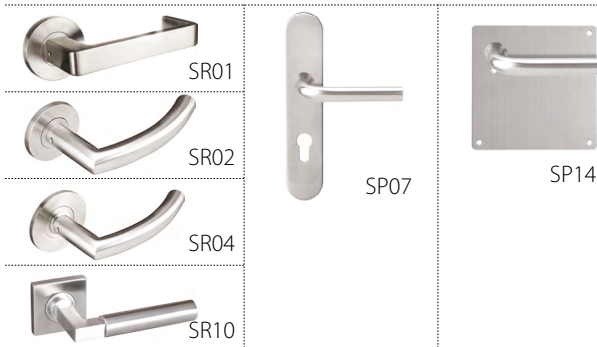
### Forend and Strike Finishes



Satin

Matching finish on latchbolt and deadbolt  
\*Other finishes supplied upon request

### Trim Options



### Lever Options

Suitable with any UNITY lever design

\* Please refer to UNITY Lever Handle catalogue for more details on Lever and Trim options

# UNITY MORTICE LOCK

## Mortice Lock ML1085 Series Available Functions

### ML108501

#### Function

Sashlock/Entry

#### Application

Suitable for latched doors requiring deadbolt locking security.

### ML108502

#### Function

Latch/Passage

#### Application

Suitable for latched doors remaining unlocked at all time.

#### EN12209:2003 Classification

3	X	8	1	0	G	3	B	C	2	0
---	---	---	---	---	---	---	---	---	---	---

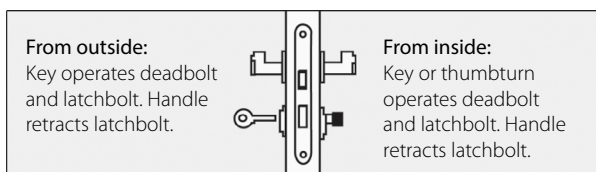


#### EN12209:2003 Classification

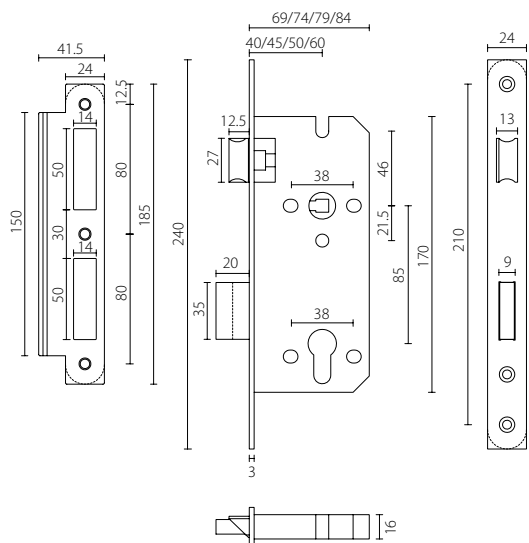
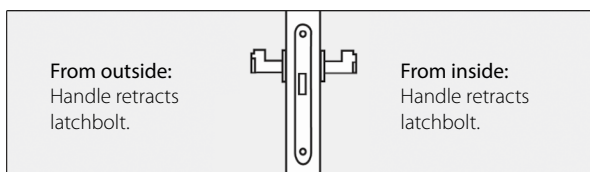
3	X	8	1	0	G	-	B	0	2	0
---	---	---	---	---	---	---	---	---	---	---



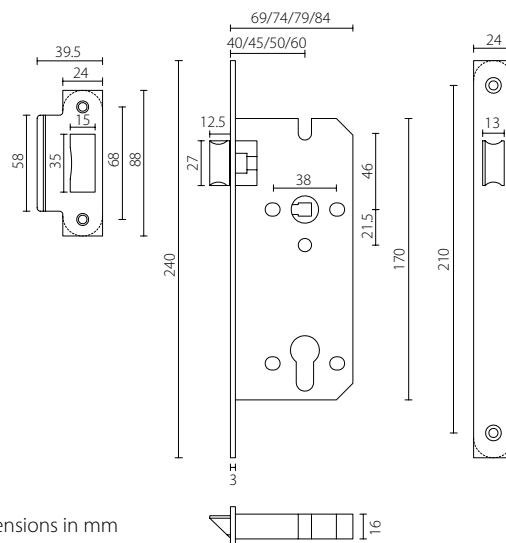
#### Illustration



#### Illustration



\* Dimensions in mm



# UNITY MORTICE LOCK

## Mortice Lock ML1085 Series Available Functions

### ML108503

#### Function

Deadlock/Communicating

#### Application

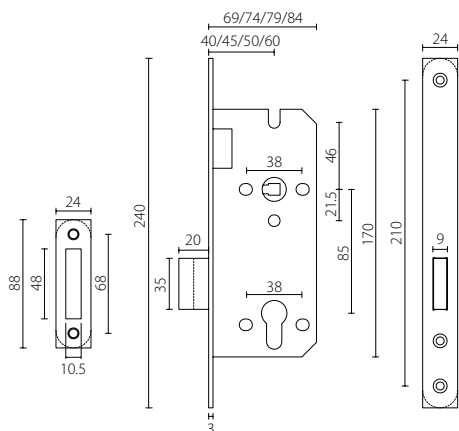
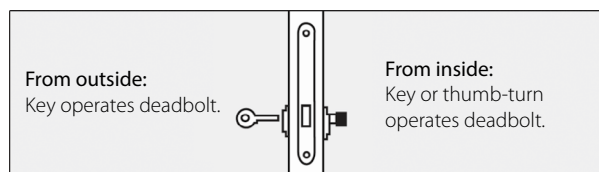
Suitable for unlatched doors with deadbolt locking security.

#### EN12209:2003 Classification

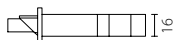
3	X	8	1	0	G	3	B	C	0	0
---	---	---	---	---	---	---	---	---	---	---



#### Illustration



\* Dimensions in mm



# UNITY MORTICE LOCK

---

## Mortice Lock ML1085 Series Available Functions

**ML108501**  
Sashlock/Entrance  
85mm Center



40mm Backset: ML108501-40  
45mm Backset: ML108501-45  
50mm Backset: ML108501-50  
60mm Backset: ML108501-60

**ML108502**  
Latch/Passage  
85mm Center



40mm Backset: ML108502-40  
45mm Backset: ML108502-45  
50mm Backset: ML108502-50  
60mm Backset: ML108502-60

**ML108503**  
Deadlock/  
Communicating  
85mm Center



40mm Backset: ML108503-40  
45mm Backset: ML108503-45  
50mm Backset: ML108503-50  
60mm Backset: ML108503-60

# UNITY MORTICE LOCK

## Mortice Lock ML2072 Series

### Application

UNITY ML2072 Series Mortice Lock is designed for frequent usage application such as commercial offices where potential misuse may take place

### Specifications and Features

- Modular case across functions for rapid door prepping and installation
- 72mm center, backset in 55/60mm
- 8mm solid steel follower
- Easy reversible latchbolt in solid brass\*
- Double throw deadbolt in solid steel with 20mm projection
- Suitable for sprung and light un-sprung lever furniture
- Stainless steel faceplate and strike in square and radius version (radius version improves door prep efficiency with machine routing)
- Compatible with bolt through furniture and escutcheons of 38mm centers

\*Convenient reversibility without tools

### Standards and Certification



Successfully type-tested for conformity to all of requirement of EN12209: 2003



Successfully passed and exceeded 240-minutes fire test of metal fire door assemblies to EN1634-1: 2014



CE Declaration of Conformity available upon request



Meets the dimensional recommendations of BS8300 and Approved Document "M"



UNITY ML2072 series locks are approved by Certifire.\* Certifire No. CF5333



All EN/CE/Certifire tests performed independently and certified by Exova/Warrington Fire/Warrington APT. Test report/certificate are available upon request.

\* Certifire is an independent third party certification scheme that assures performance, quality and traceability of fire protection products



### Forend and Strike Finishes

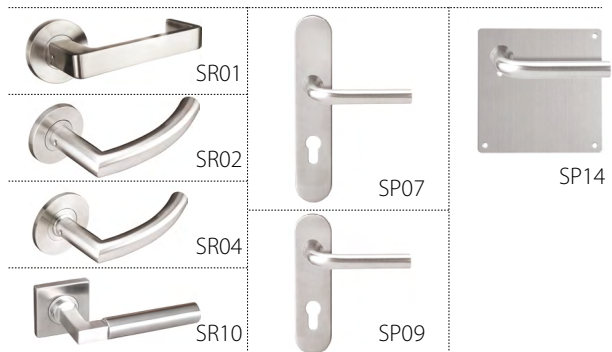


Satin

Matching finish on latchbolt and deadbolt

\*Other finishes available upon request

### Trim Options:



### Lever Options

Suitable with any UNITY lever design

\* Please refer to UNITY Lever Handle catalogue for more detail on Lever and Trim options

# UNITY MORTICE LOCK

## Mortice Lock ML2072 Series Available Functions

### ML207201

#### Function

Sashlock/Entry

#### Application

Suitable for latched doors requiring deadbolt locking security.

### ML207202

#### Function

Latch/Passage

#### Application

Suitable for latched doors remaining unlocked at all times.

#### EN12209:2003 Classification

3	S	7	1	0	G	3	B	C	2	0
---	---	---	---	---	---	---	---	---	---	---

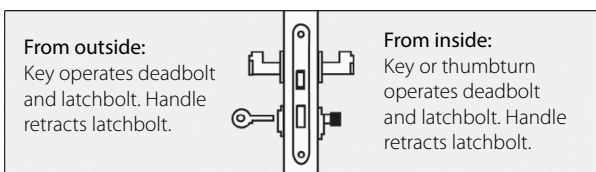


#### EN12209:2003 Classification

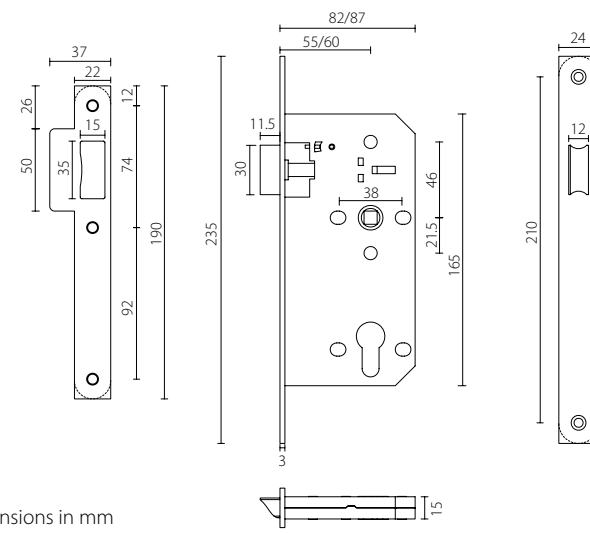
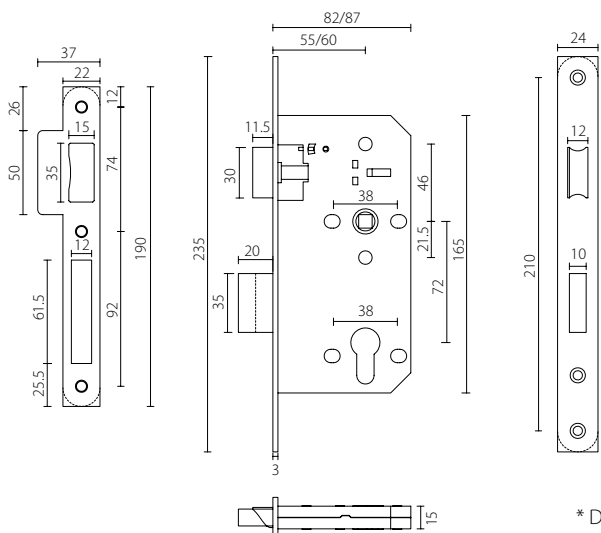
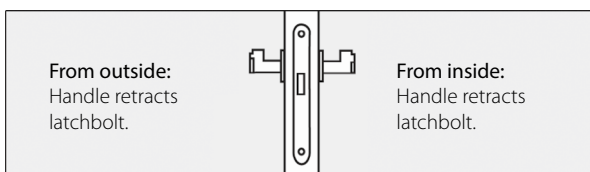
3	S	7	1	0	G	-	B	0	2	0
---	---	---	---	---	---	---	---	---	---	---



#### Illustration



#### Illustration



\* Dimensions in mm

# UNITY MORTICE LOCK

## Mortice Lock ML2072 Series Available Functions

### ML207203

**Function**

Deadlock/Communicating

**Application**

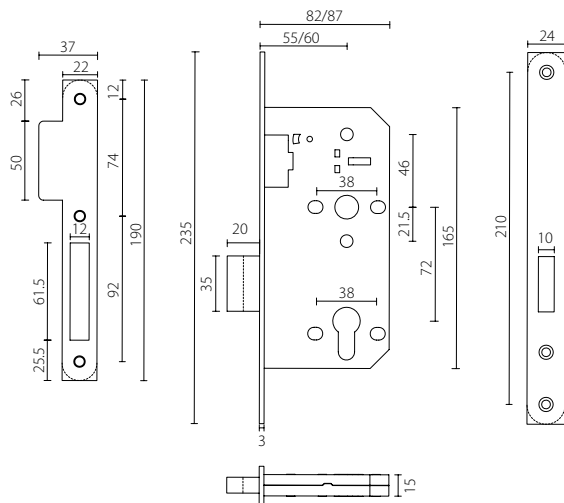
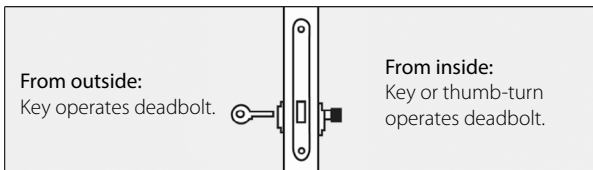
Suitable for unlatched doors with deadbolt locking security.

**EN12209:2003 Classification**

3	S	7	1	0	G	3	B	C	0	0
---	---	---	---	---	---	---	---	---	---	---



**Illustration**



### ML207205

**Function**

Bathroom/Privacy

**Application**

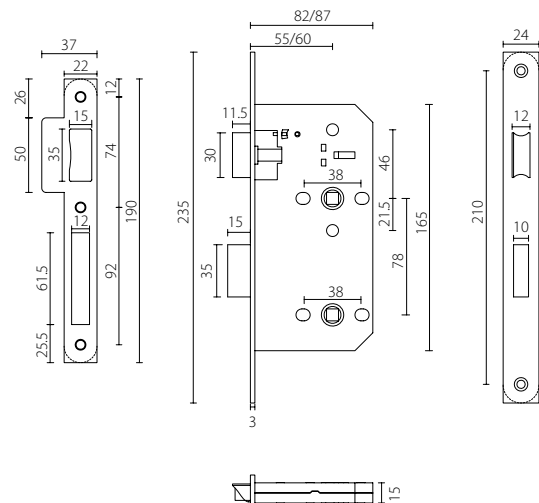
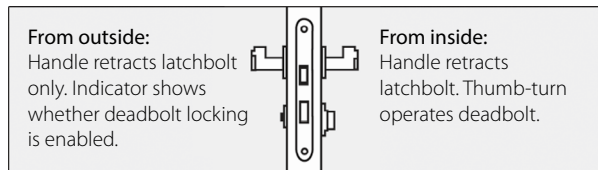
Suitable for bathroom door with deadbolt locking privacy. Emergency unlocking provided by coin release slot.

**EN12209:2003 Classification**

3	S	7	1	0	G	-	B	0	2	0
---	---	---	---	---	---	---	---	---	---	---



**Illustration:**



\* Dimensions in mm

# UNITY MORTICE LOCK

## Mortice Lock ML2072 Series Available Functions

### ML207204

#### Function

Nightlatch/Storeroom

#### Application

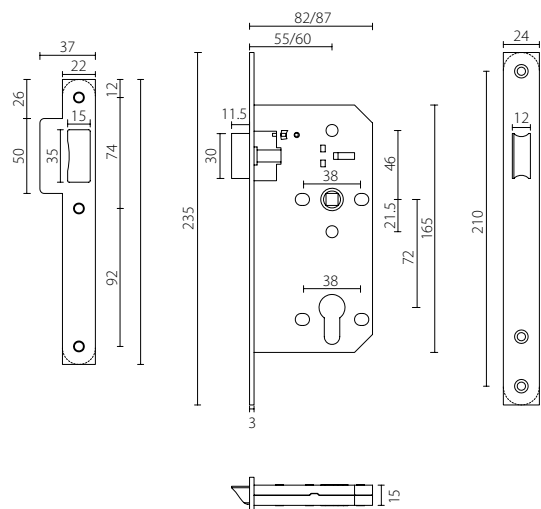
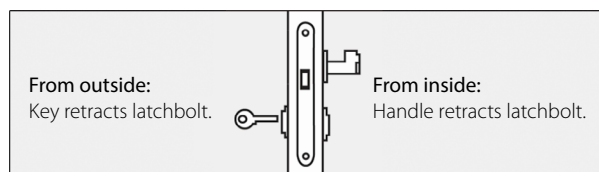
Suitable for latched door with cylinder key operated access from outside and handle access from inside.

#### EN12209:2003 Classification

3	S	7	1	0	G	-	B	0	2	0
---	---	---	---	---	---	---	---	---	---	---



#### Illustration



\* Dimensions in mm



## UNITY MORTICE LOCK

### Mortice Lock ML2072 Series Available Functions

**ML207201**  
Sashlock/Entrance  
72mm Center



55mm Backset: ML207201-55  
60mm Backset: ML207201-60

**ML207202**  
Latch/Passage  
72mm Center



55mm Backset: ML207202-55  
60mm Backset: ML207202-60

**ML207203**  
Deadlock/  
Communicating  
72mm Center



55mm Backset: ML207203-55  
60mm Backset: ML207203-60

**ML207205**  
Bathroom/Privacy  
78mm Center



55mm Backset: ML207205-55  
60mm Backset: ML207205-60

**ML207204**  
Nightlatch/  
Storeroom  
72mm Center



55mm Backset: ML207204-55  
60mm Backset: ML207204-60

# UNITY MORTICE LOCK

## Mortice Lock ML2085 Series

### Application

UNITY ML2085 Series Mortice Lock is designed for frequent usage application such as commercial offices where potential misuse may take place

### Specifications and Features

- Modular case across functions for rapid door prepping and installation
- 85mm center, backset in 40/45/50/60mm
- 8mm sintered steel follower
- Easy\* reversible latchbolt in Solid Brass
- Double throw deadbolt in solid steel with 20mm projection
- Suitable for sprung and light un-sprung lever furniture
- Stainless steel faceplate and strike in square and radius version (radius version improves door prep efficiency with machine routing)
- Compatible with bolt through furniture and escutcheons of 38mm center

\*Convenient reversibility with no tools required



### Standards and Certification



Successfully type-tested for conformity to all of requirement of EN12209: 2003



Successfully passed and exceeded 240-minutes fire test of metal fire door assemblies to EN1634-1: 2014



CE Declaration of Conformity available upon request



Meets the dimensional recommendations of BS8300 and Approved Document "M"



UNITY ML2085 series locks are approved by Certifire.\* Certifire No. CF5333



All EN/CE/Certifire tests performed independently and certified by Exova/ Warrington Fire / Warrington APT. Test report/ certificate are available upon request.

\* Certifire is an independent third party certification scheme that assures performance, quality and traceability of fire protection products

### Forend and Strike Finishes



Satin

Matching finish on latchbolt and deadbolt

\*Other finishes available upon request

### Trim Options



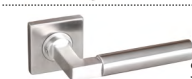
SR01



SR02



SR04



SR10



SP07



SP14

### Lever Options

Suitable with any UNITY lever design

\* Please refer to UNITY Lever Handle catalogue for more detail on Lever and Trim options

# UNITY MORTICE LOCK

## Mortice Lock ML2085 Series Available Functions

### ML208501

#### Function

Sashlock/Entry

#### Application

Suitable for latched doors requiring deadbolt locking security.

### ML208502

#### Function

Latch/Passage

#### Application

Suitable for latched doors remaining unlocked at all times.

#### EN12209:2003 Classification

3	S	7	1	0	G	3	B	C	2	0
---	---	---	---	---	---	---	---	---	---	---



#### EN12209:2003 Classification

3	S	7	1	0	G	-	B	0	2	0
---	---	---	---	---	---	---	---	---	---	---



#### Illustration

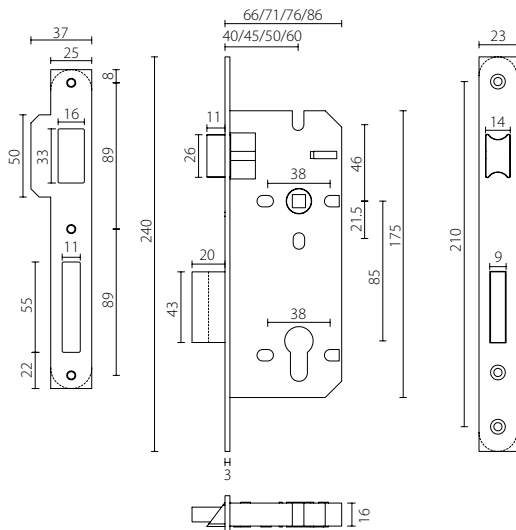
**From outside:**  
Key operates deadbolt and latchbolt. Handle retracts latchbolt.

**From inside:**  
Key or thumb-turn operates deadbolt and latchbolt. Handle retracts latchbolt.

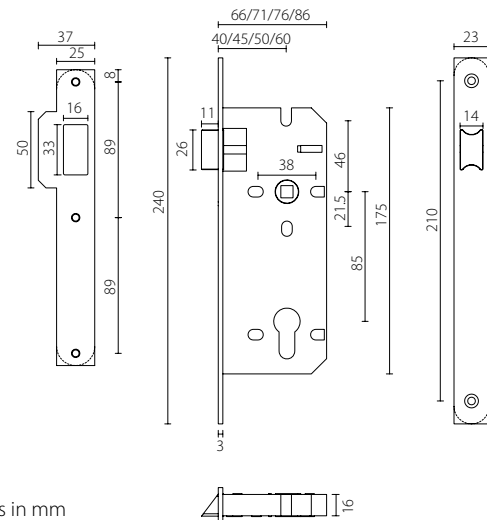
#### Illustration

**From outside:**  
Handle retracts latchbolt.

**From inside:**  
Handle retracts latchbolt.



\* Dimensions in mm



# UNITY MORTICE LOCK

## Mortice Lock ML2085 Series Available Functions

### ML208503

#### Function

Deadlock/Communicating

#### Application

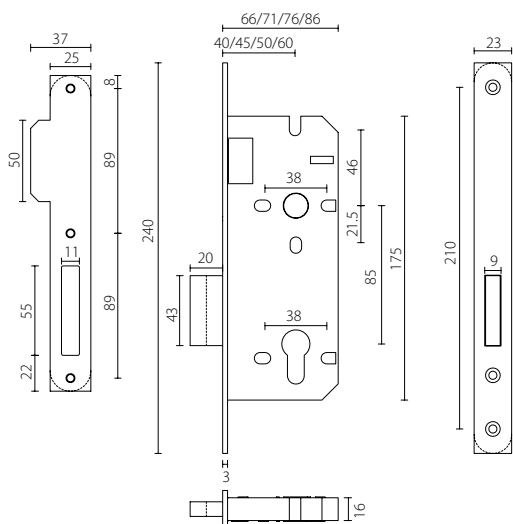
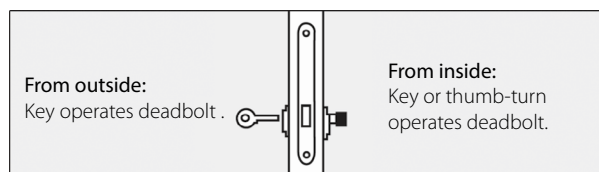
Suitable for unlatched doors with deadbolt locking security.

#### EN12209:2003 Classification

3	S	7	1	0	G	3	B	C	0	0
---	---	---	---	---	---	---	---	---	---	---



#### Illustration



### ML208507

#### Function

Roller Latch (Adjustable)

#### Application

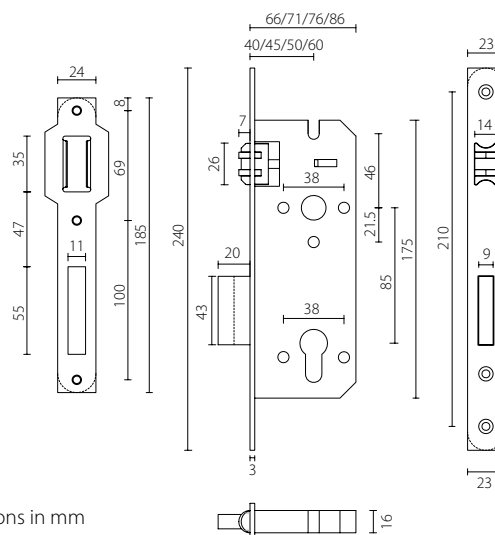
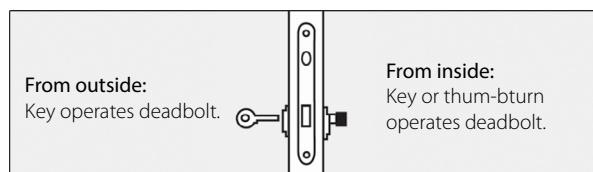
Suitable for doors requiring roller bolt latching. Security provided by deadbolt locking.

#### Classification

3	S	7	1	0	G	3	B	C	0	0
---	---	---	---	---	---	---	---	---	---	---



#### Illustration



\* Dimensions in mm

## UNITY MORTICE LOCK

### Mortice Lock ML2085 Series Available Functions

**ML208501**  
Sashlock/Entrance  
85mm Center



40mm Backset: ML208501-40  
45mm Backset: ML208501-45  
50mm Backset: ML208501-50  
60mm Backset: ML208501-60

**ML208502**  
Latch/Passage  
85mm Center



40mm Backset: ML208502-40  
45mm Backset: ML208502-45  
50mm Backset: ML208502-50  
60mm Backset: ML208502-60

**ML208503**  
Deadbolt/  
Communicating  
85mm Center



40mm Backset: ML208503-40  
45mm Backset: ML208503-45  
50mm Backset: ML208503-50  
60mm Backset: ML208503-60

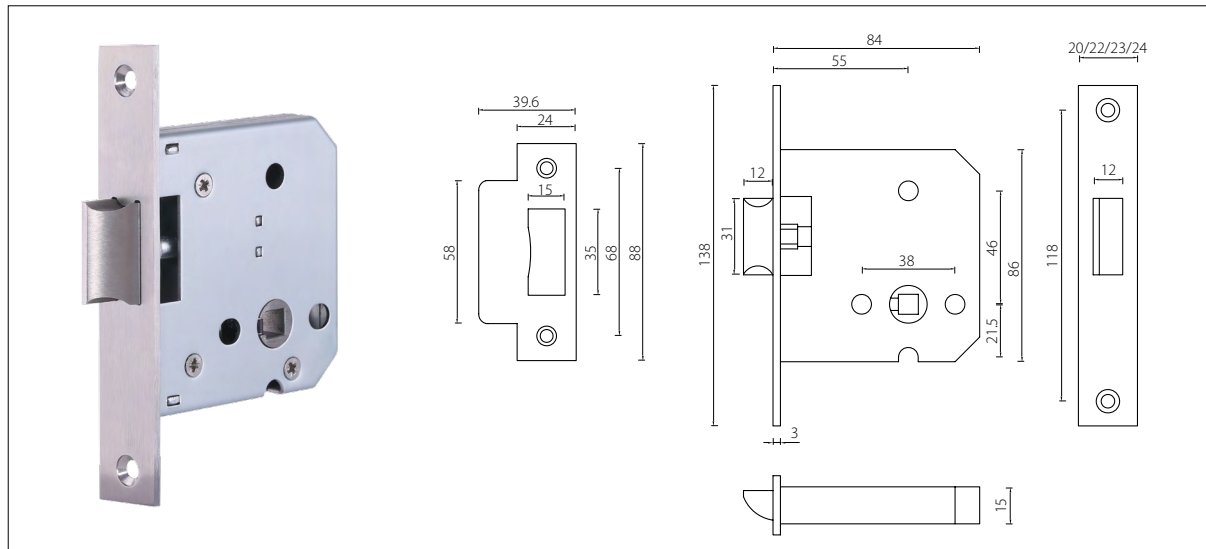
**ML208507**  
Roller Latch  
85mm Center



40mm Backset: ML208507-40  
45mm Backset: ML208507-45  
50mm Backset: ML208507-50  
60mm Backset: ML208507-60

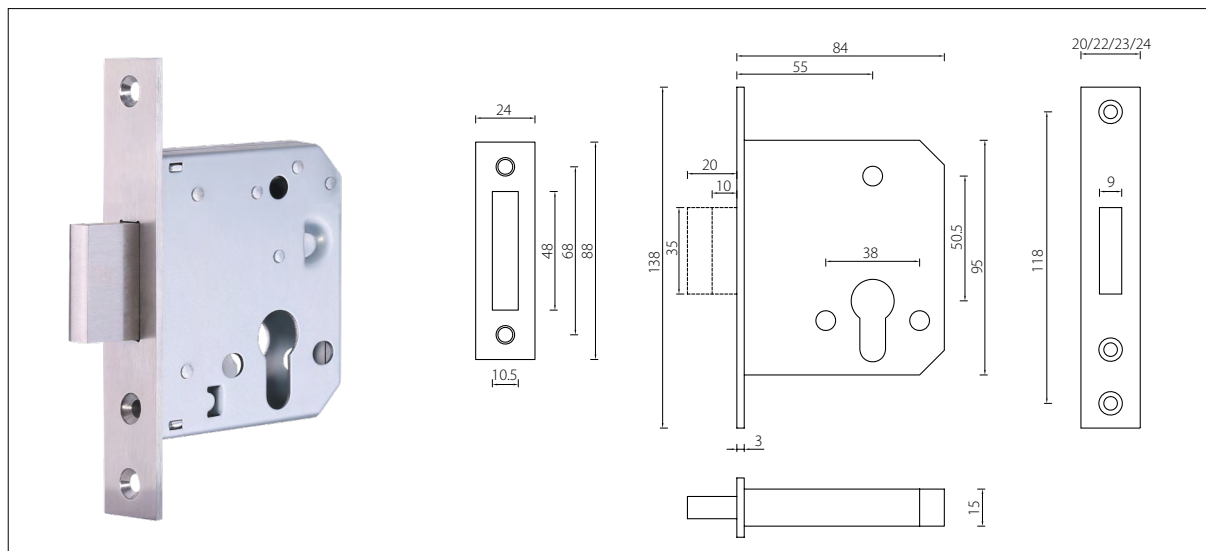
## UNITY COMPACT MORTICE LOCK MLC SERIES

### MLC102-55 Latch/Passage



- Backset in 55mm
- 8mm follower with spindle gripping function
- Reversible Latchbolt in solid stainless steel
- Suitable for sprung and most un-sprung lever furniture
- Stainless steel faceplate and strike in square and radius version in Satin Finish
- Compatible with bolt through furniture of 38mm centers

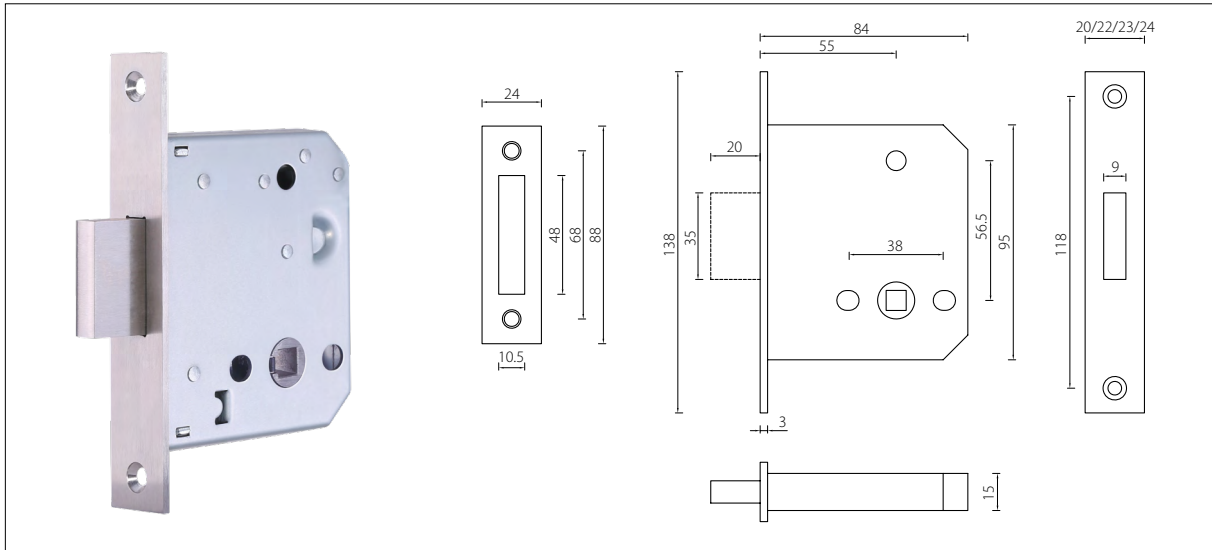
### MLC103-55 Deadlock/Communicating



- Backset in 55mm
- Double throw deadbolt in solid stainless steel
- Stainless steel faceplate and strike in square and radius version
- Compatible with bolt through escutcheons of 38mm centers

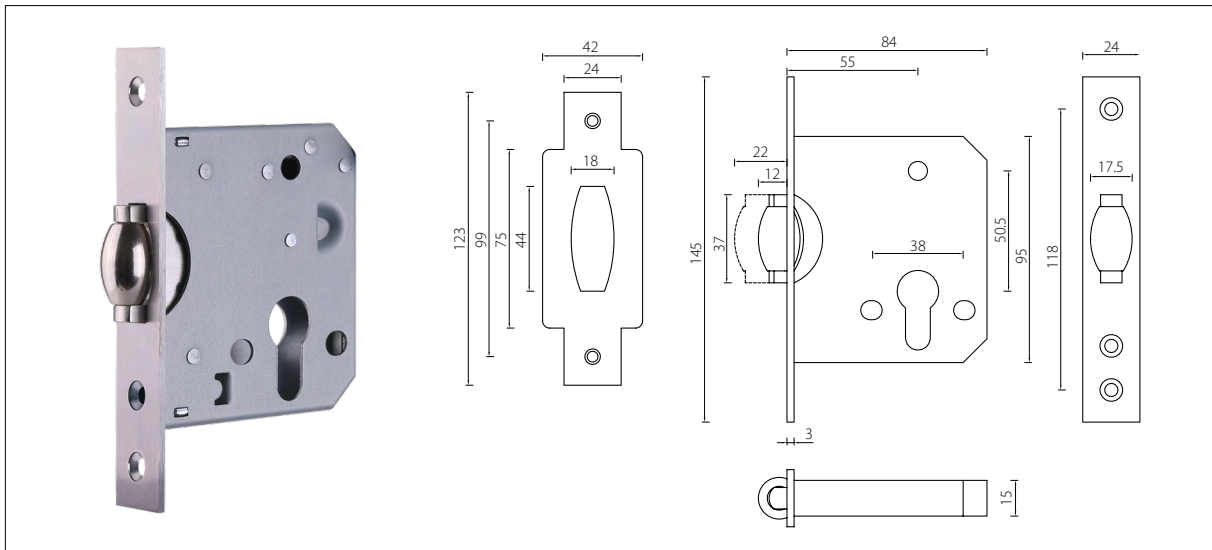
## UNITY COMPACT MORTICE LOCK MLC SERIES

### MLC105-55 Bathroom/Privacy



- Backset in 55mm
- 8mm follower
- Stainless steel faceplate and strike in square and radius version
- Compatible with bolt through escutcheons of 38mm centers
- Single turn to suit privacy turn and release set with 38mm bolt through compatibility

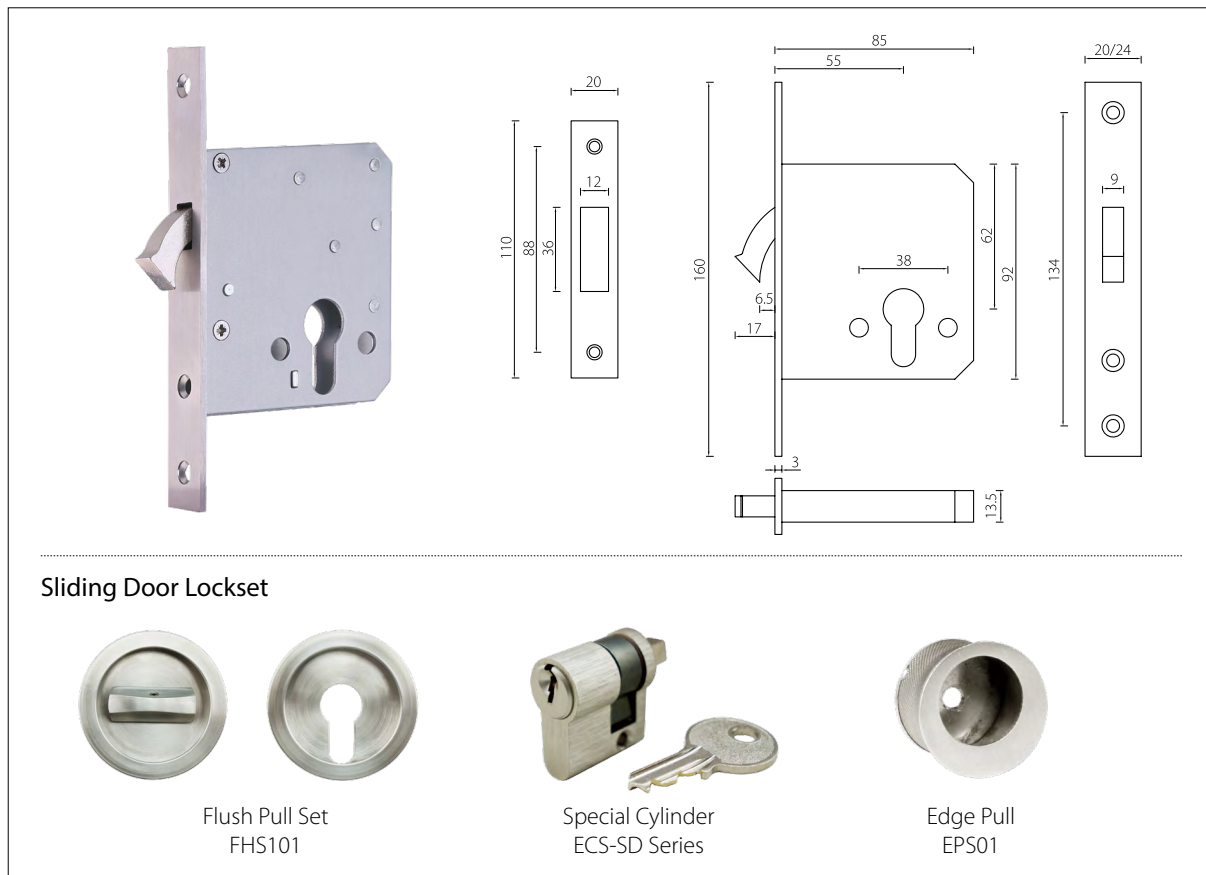
### ML107-55 Roller Bolt



- Backset in 55mm
- Can be used as passage or deadlock application
- Dead bolt function achieved with euro profile cylinder operation
- Roller Latch in stainless steel
- Stainless steel faceplate and strike in square and radius version
- Compatible with bolt through escutcheons of 38mm centers

## UNITY COMPACT MORTICE LOCK MLC SERIES

### MLC106-55 Hook Lock

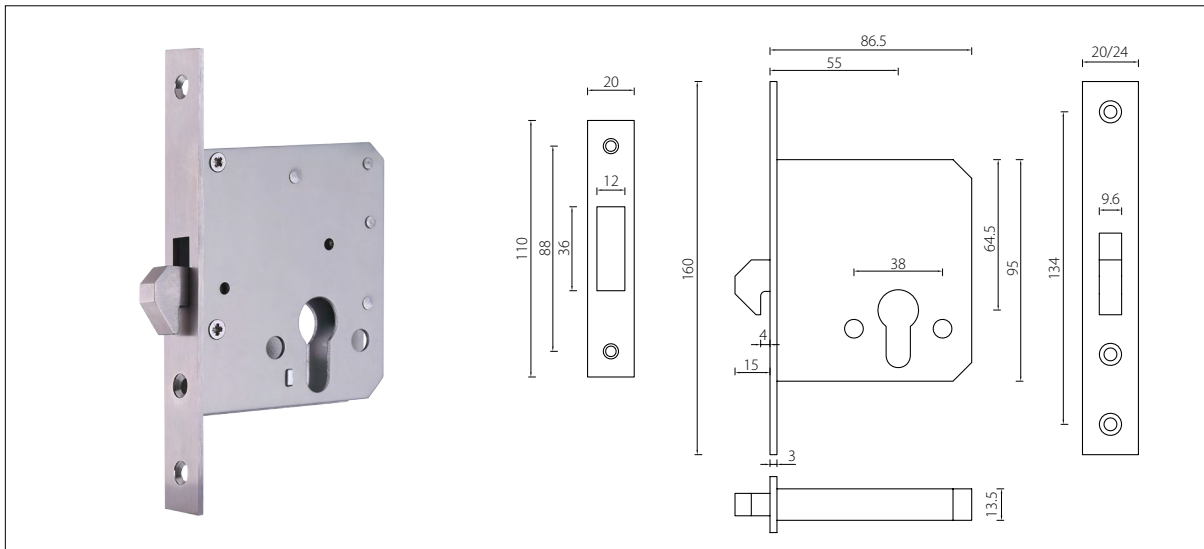


- Backset in 55mm
- Locking function achieved with euro profile cylinder
- Single turn hook bolt in stainless steel
- Stainless steel faceplate and strike in square and radius version
- Compatible with bolt through escutcheons of 38mm centers



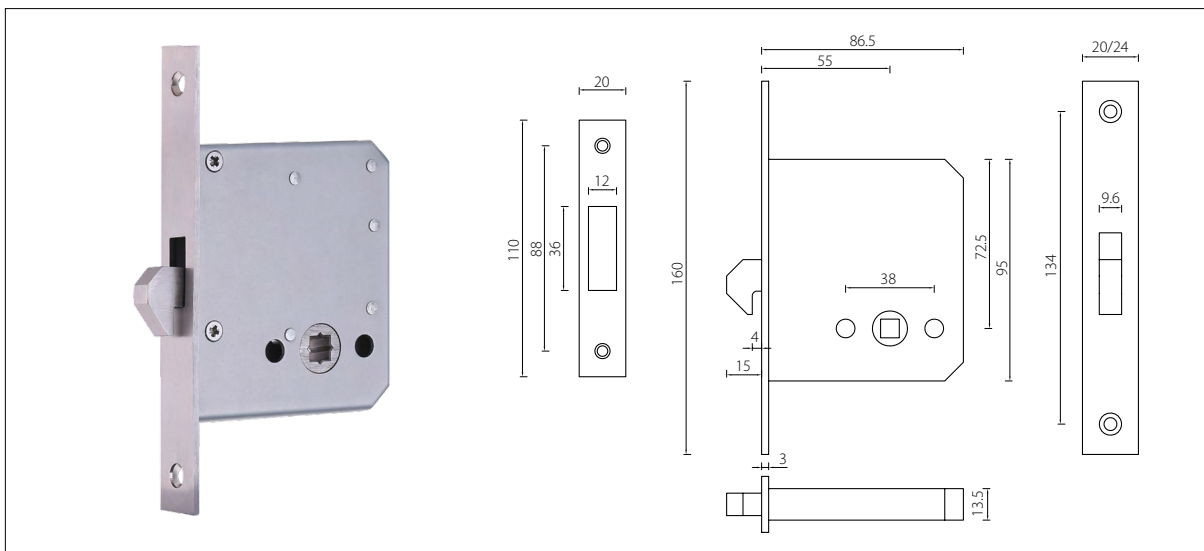
## UNITY COMPACT MORTICE LOCK MLC SERIES

### MLC116-55 Hook Lock



- Backset in 55mm
- Auto locking achieved by sliding to close door
- Unlocking by euro profile cylinder
- Stainless steel faceplate and strike in square and radius version
- Compatible with bolt through escutcheons of 38mm centers

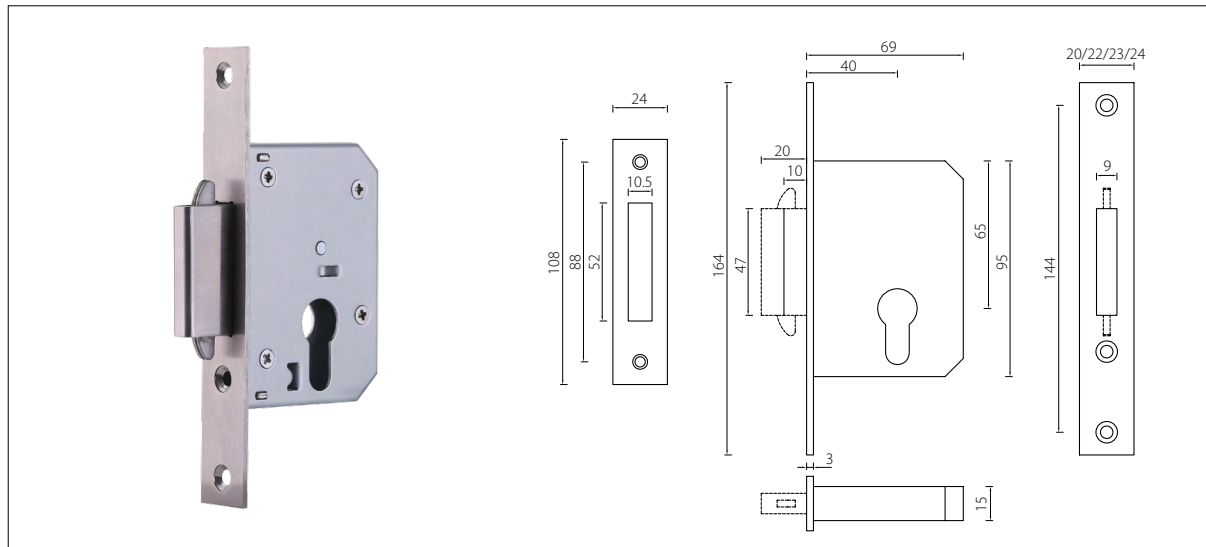
### MLC126-55 Privacy Hook Lock



- Backset in 55mm
- Auto locking achieved by sliding to close door
- Unlocking by thumb turn and release
- Stainless steel faceplate and strike in square and radius version
- Compatible with bolt through privacy turn and release set of 38mm centers

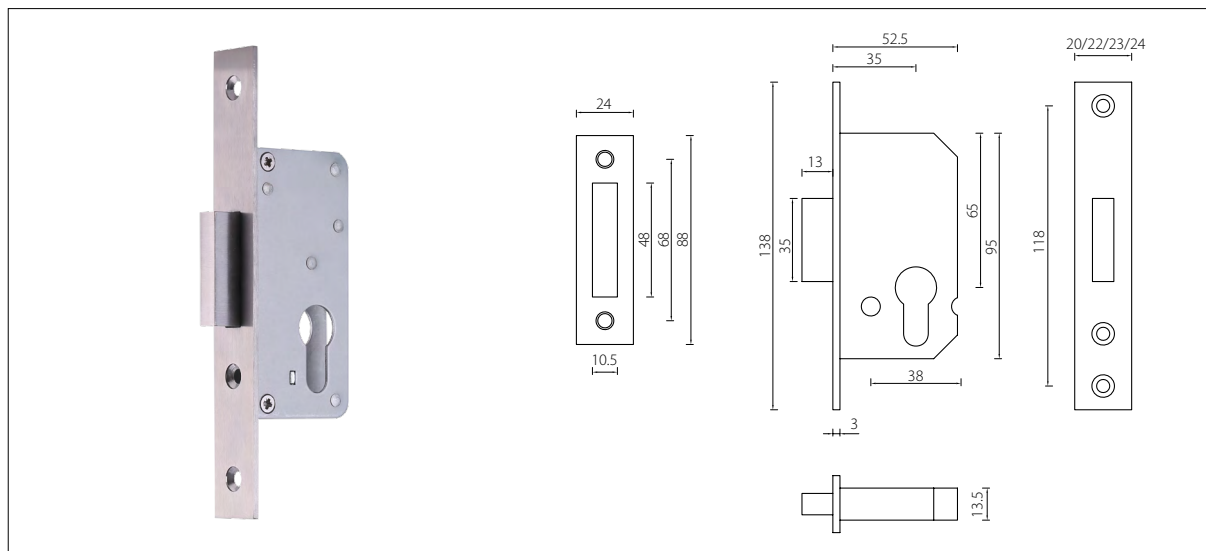
## UNITY COMPACT MORTICE LOCK MLC SERIES

### MLC136-40 Double Hook Lock



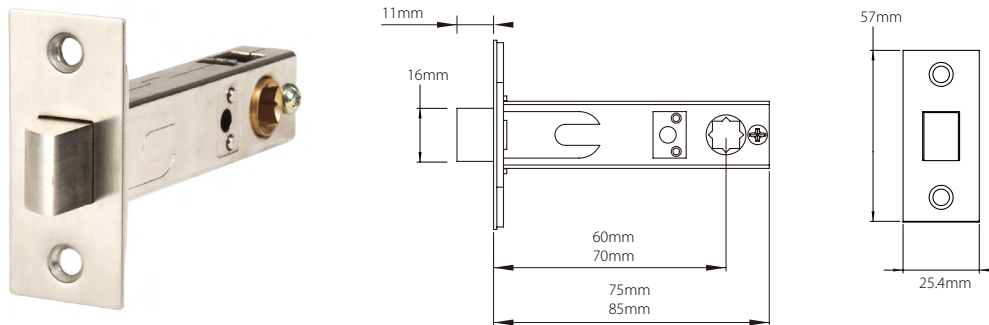
- Backset in 40mm
- Function achieved with euro profile cylinder
- Double turn hook bolt with wings in stainless steel
- Stainless steel faceplate and strike in square and radius version

### MLC103-35



- Backset in 35mm
- Single throw deadbolt in stainless steel
- Suitable for sprung and most un-sprung lever furniture
- Stainless steel faceplate and strike in square and radius version
- Compatible with bolt through escutcheons of 38mm centers

# RESIDENTIAL TUBULAR LATCH RTL30 SERIES



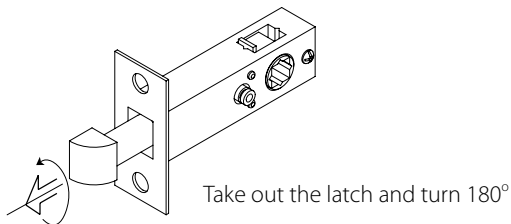
## Specifications and Features

- 60 Degree Latch Retraction
- Easy reversible latchbolt
- Solid brass latchbolt and follower for durable performance
- Stainless Steel Forend and Strike, Satin Finish
- Available backset: 2-3/8" (60mm), 2-3/4" (70mm)

## Available Models

Item No.	Function	Backset
RTL3061	Passage	60mm
RTL3062	Privacy	60mm
RTL3071	Passage	70mm
RTL3072	Privacy	70mm

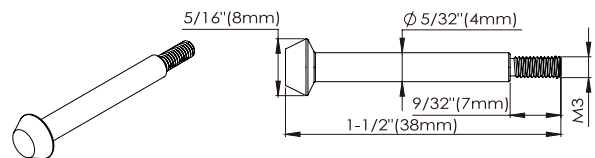
## Reverse the latchbolt



## Privacy Pin Kit

All privacy latches come with M3 Privacy Pin and Emergency Release Key

M3 Privacy Pin

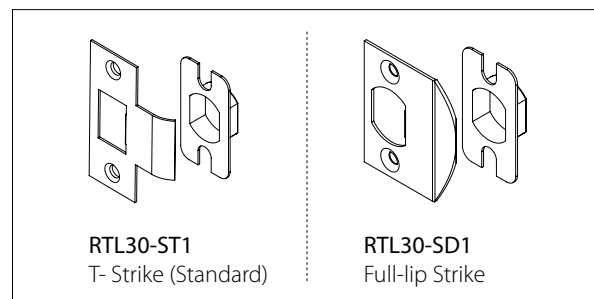


Emergency Release Key

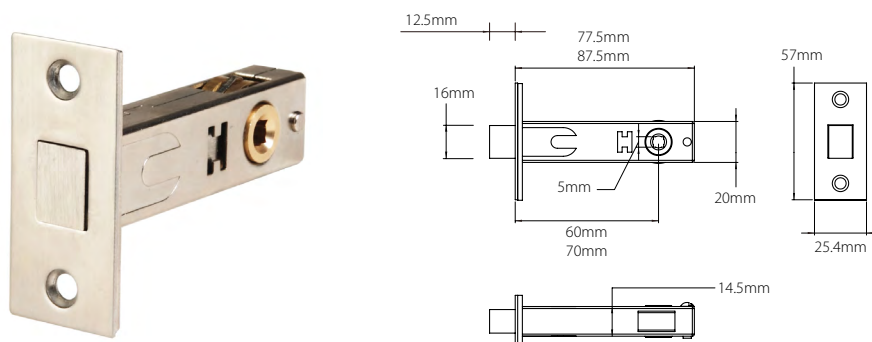


## Strike Options

RTL30 latch comes with a standard T-Strike RTL30-ST1 and other strike options as following:



## RESIDENTIAL PRIVACY BOLT RPB30 SERIES



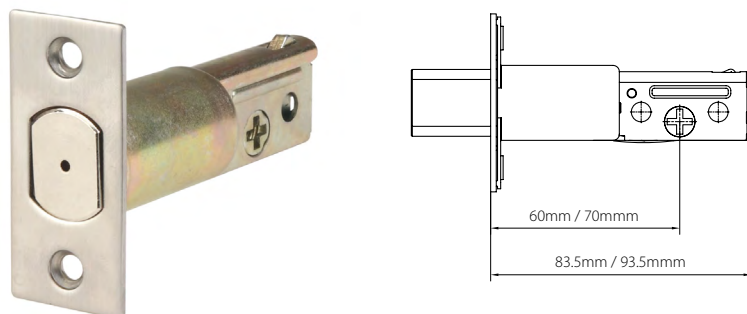
### Specifications and Features

- Complimentary to RTL30 Series Tubular Latch to create privacy function
- Solid brass deadbolt and follower for durable performance
- Stainless Steel Forend and Strike, Satin Finish
- Available backset: 2-3/8" (60mm), 2-3/4" (70mm)

### Available Models

Item No.	Backset
RPB3061	60mm
RPB3071	70mm

## RESIDENTIAL TUBULAR DEADBOLT RTB30 SERIES



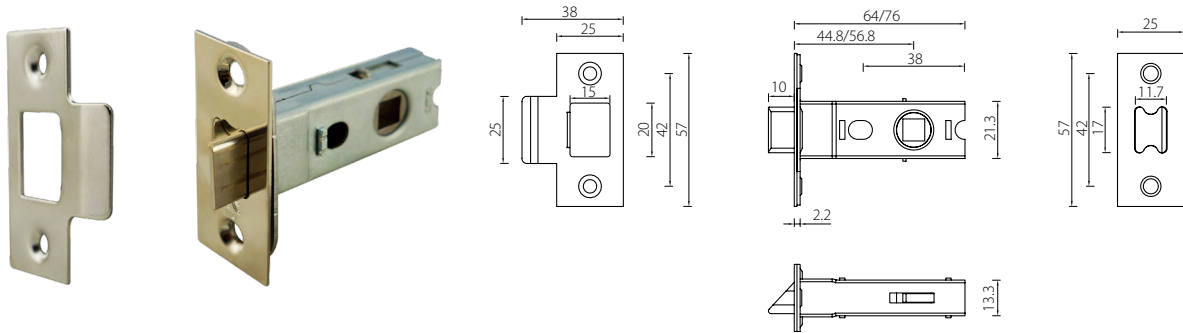
### Specifications and Features

- Suitable for doors required locking and keyed entry (fitted with rim cylinder or euro cylinder with tale piece design)
- Solid brass deadbolt for durable performance
- 1" (25mm) throw with anti-drill pin
- Stainless Steel Forend and Strike, Satin Finish
- Available backset: 2-3/8" (60mm), 2-3/4" (70mm)

### Available Models

Item No.	Backset
RTB3061	60mm
RTB3071	70mm

## BOLT THROUGH TUBULAR LATCH BTL20 SERIES



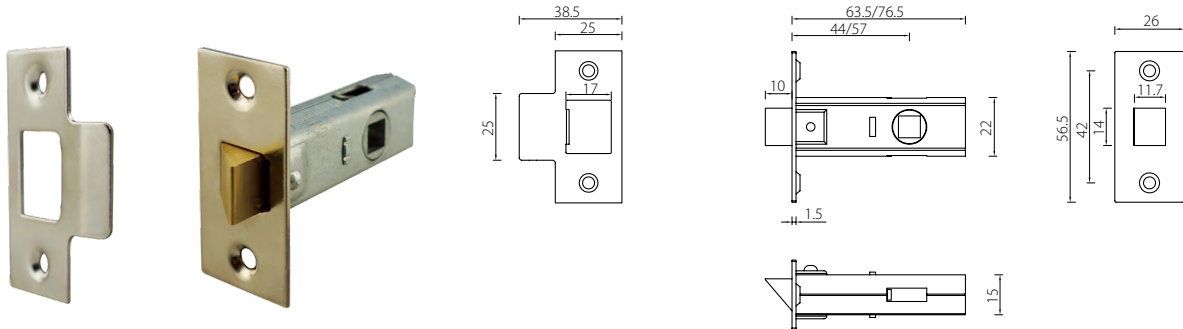
### Specifications and Features

- Available in 64mm (2.5") and 76mm (3") case size
- Non handed installation
- Brass Latchbolt and Solid Steel Follower for durable performance
- Steel Forend and Strike in double forend reinforcement design
- Standard finish: Nickel Plated (NP) and Polish Brass (PB)
- Suitable for sprung furniture with 38mm through bolt fixing
- Tested to EN12209:2003
- Can be fire rated to EN1634-1
- Suitable for light to medium duty application

### Available Models

- BTL201: 64mm Nickel Plated (NP)
- BT202: 64mm Polish Brass (PB)
- BTL203: 76mm Nickel Plated (NP)
- BT204: 76mm Polish Brass (PB)

## STANDARD TUBULAR LATCH TL10 SERIES



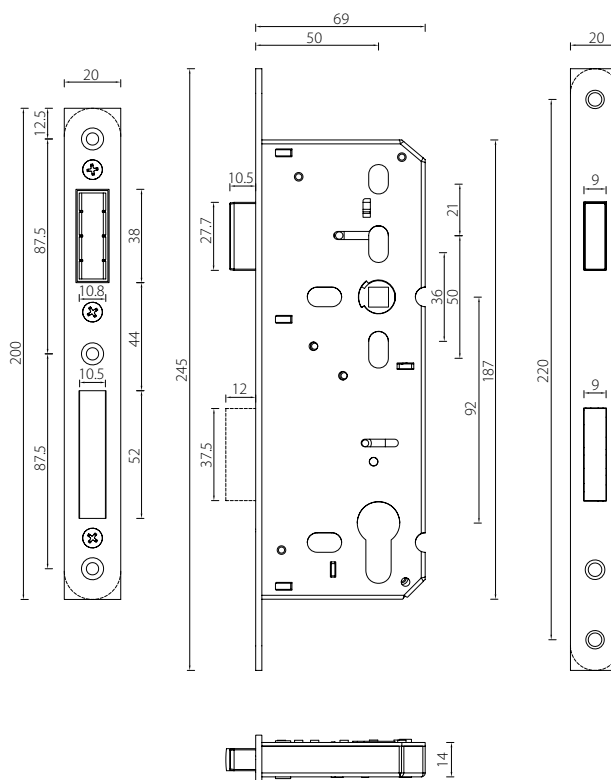
### Specifications and Features

- Available in 64mm (2.5") and 76mm (3") case size
- Non handed installation
- Brass Latchbolt and Zinc Follower
- Standard finish: Nickel Plated (NP) and Polish Brass (PB)
- Suitable for light duty application

### Available Models

- TL101: 64mm Nickel Plated (NP)
- TL102: 64mm Polish Brass (PB)
- TL103: 76mm Nickel Plated (NP)
- TL104: 76mm Polish Brass (PB)

# MG9210-50 MORTICE MAGNETIC LOCK



## Specifications and Feature

- 92mm standard center distance with 50mm backset
- Magnetic latch designed for reducing installation gap
- Magnetic latch can be retracted by cylinder operation
- Multiple through bolt holes available for wide trim options
- Non handed installation
- Solid brass deadbolt providing additional security
- Can be used as passage or entrance function
- Stainless steel forend and strike for strong corrosive resistance
- Suitable for sprung and most unsprung lever handle

## Application

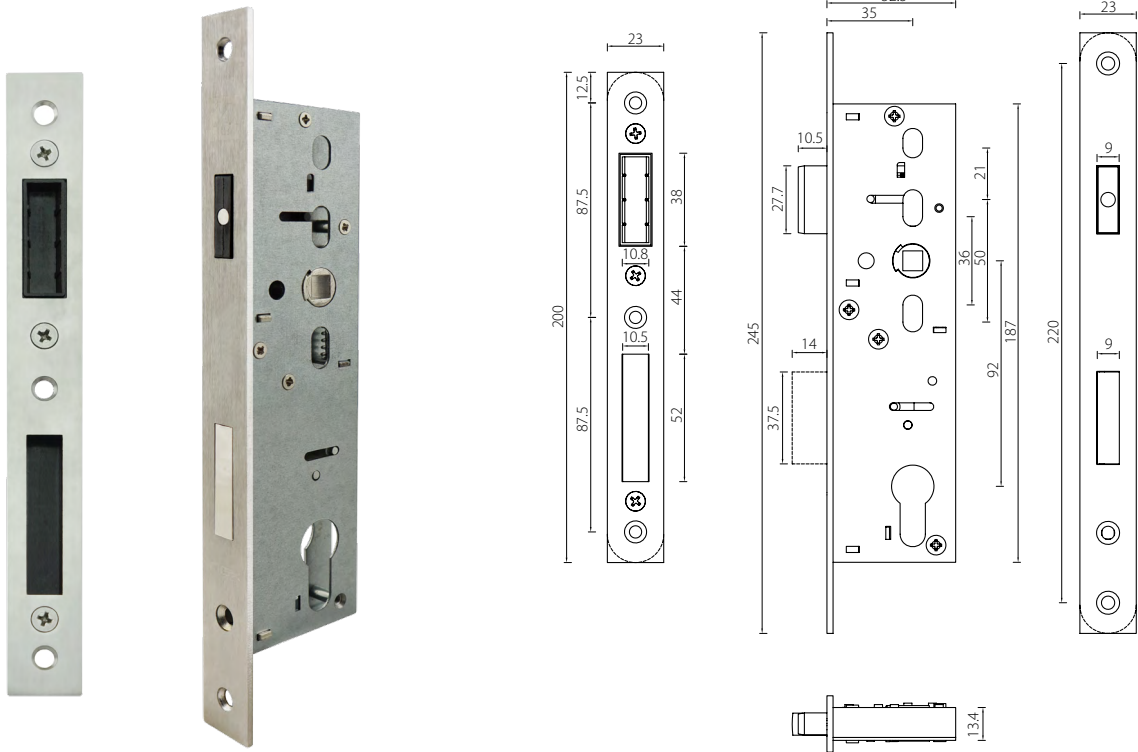
MG10910-50 Magnetic Lock is designed for timber doors requiring silent closing action

## Forend and Strike Finish

Satin Stainless Steel

\*Other finishes available upon request

## MG9210-35 MORTICE MAGNETIC LOCK



### Specifications and Feature

- 92mm standard center distance with 35mm backset
- Magnetic latch designed for reducing installation gap
- Multiple through bolt holes available for wide trim options
- Non handed installation
- Solid brass deadbolt providing additional security
- Can be used as passage or entrance function
- Stainless steel forend and strike for strong corrosive resistance
- Suitable for sprung and most unsprung lever handle

### Application

MG10910-35 Magnetic Lock is designed for narrow profile doors requiring silent closing action

### Forend and Strike Finish

Satin Stainless Steel

\*Other finishes available upon request

# ML1090-50 MORTICE LOCK

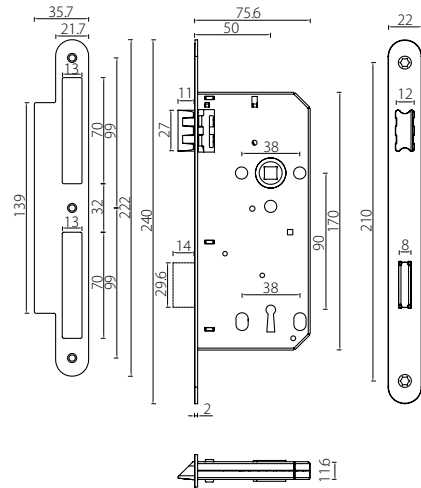


## Specifications and Features

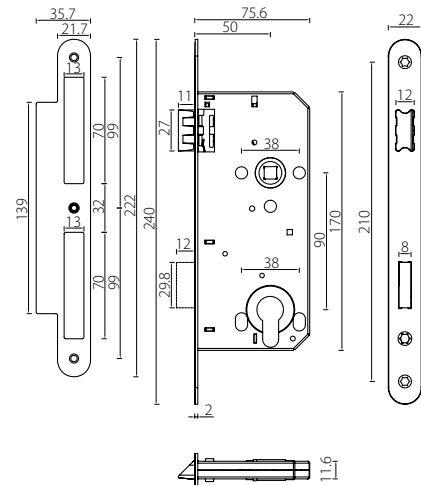
- 90mm centers with 50mm backset
- Radius stainless steel or painted steel forend
- Easy reversible latchbolt
- Tested to EN12209 performance and EN1670 corrosion resistance

## Available Models

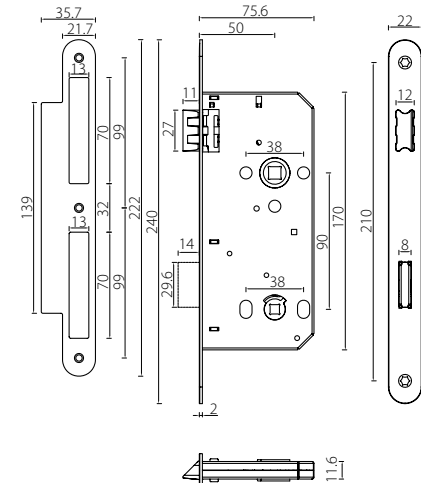
Key Entrance: ML109011-50/SSS



Euro Cylinder Entrance: ML109001-50/SSS



Bathroom / Privacy: ML109005-50/SSS



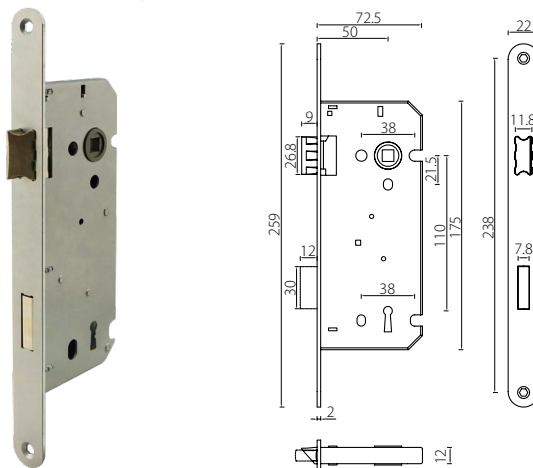


# ML10110-50 MORTICE LOCK

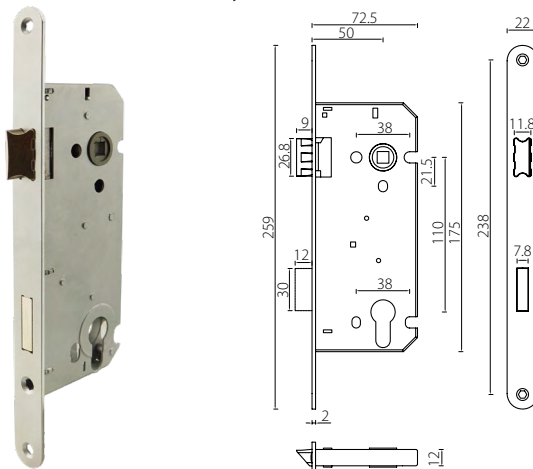


## Available Models

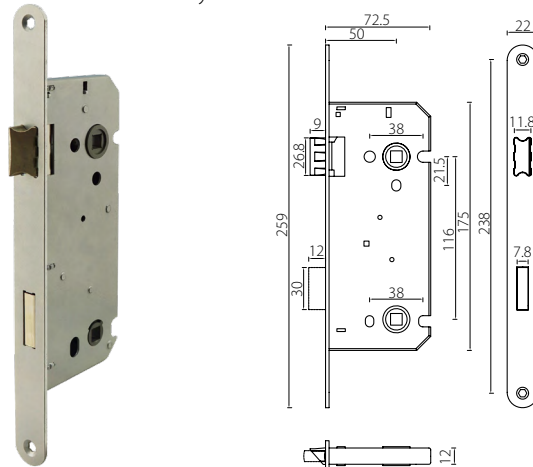
Key Entrance: - Satin Stainless Steel: ML1011011-50/SSS  
 - Steel Grey Paint: ML1011011-50/SGP



Euro Cylinder Entrance: - Satin Stainless Steel: ML1011001-50/SSS  
 - Steel Grey Paint: ML1011001-50/SGP



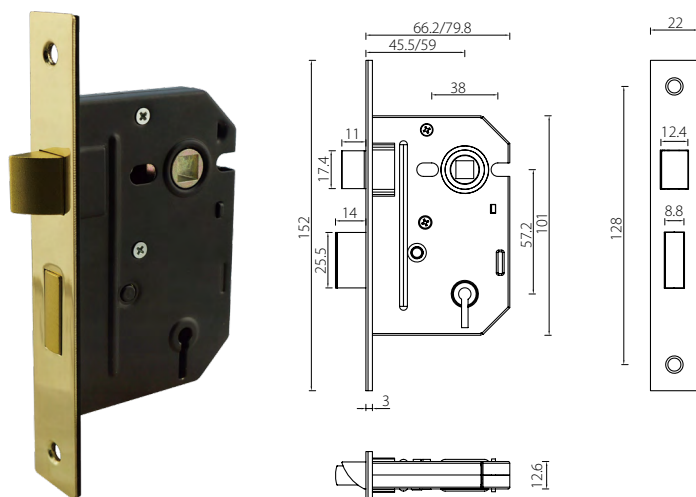
Bathroom / Privacy: - Satin Stainless Steel: ML1011005-50/SSS  
 - Steel Grey Paint: ML1011005-50/SGP



## Specifications and Features

- 110mm centers with 50mm backset
- Radius stainless steel or painted steel forend
- Easy reversible latchbolt
- Tested to EN12209 performance and EN1670 corrosion resistance

### 3 LEVER MORTICE LOCK ML3L SERIES



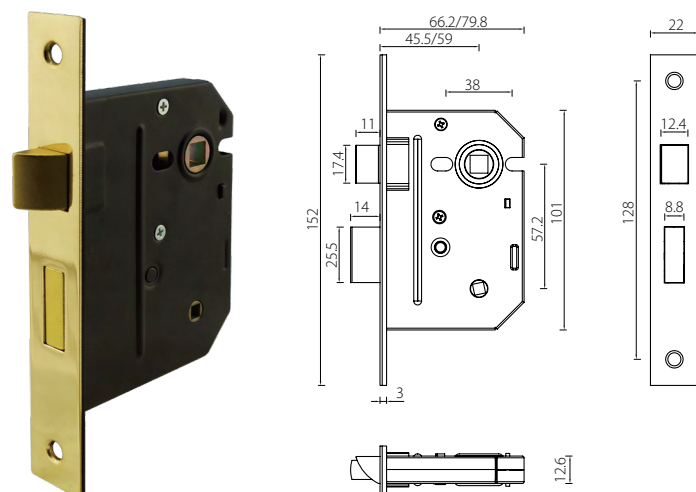
#### Specifications and Feature

- Available in 64mm (2.5") and 76mm (3") case size
- Double Forend Design for reinforcement
- Steel Forend / Strike in Chrome Plate (CP) or Polish Brass (PB) finish
- Aluminium anodized latchbolt and deadbolt
- Convenient latchbolt reversibility design without having to open the case
- Suitable for sprung furniture with 38mm through bolt fixing
- 100 standard key differ
- Good for retrofit market

#### Available Models

- ML3L01: 2.5" Case Chrome Plated (CP)
- ML3L02: 2.5" Case Polish Brass (PB)
- ML3L03: 3" Case Chrome Plated (CP)
- ML3L04: 3" Case Polish Brass (PB)

### BATHROOM MORTICE LOCK MLBT SERIES



#### Specifications and Feature

- Available in 64mm (2.5") and 76mm (3") case size
- Double Forend Design
- Steel Forend Strike in Chrome Plate (CP) or Polish Brass (PB) finish
- Aluminium anodized latchbolt and deadbolt
- Convenient latchbolt reversibility design without having to open the case
- Suitable for sprung furniture with 38mm through bolt fixing
- 5mm bathroom turn follower
- Good for retrofit market

#### Available Models

- MLBT01: 2.5" Case Chrome Plated (CP)
- MLBT02: 2.5" Case Polish Brass (PB)
- MLBT03: 3" Case Chrome Plated (CP)
- MLBT04: 3" Case Polish Brass (PB)

# UNITY MORTICE LOCK

## Narrow Mortice Lock ML30 Series

### Application

UNITY ML30 Series Narrow Mortice Lock is designed for commercial and residential profile door applications

### Specifications and Features

- Available in 85 and 92mm centers, backset in 20/25/30/35mm
- 8mm spindle follower
- Easy reversible latchbolt design (no tools required)
- Single throw solid deadbolt with 15mm projection
- Suitable for both Sprung and Un-Sprung handle
- Stainless Steel faceplate and strike in various width to fit different aluminium/ uPVC profile requirement
- Modular case across functions for rapid door prepping and installation
- Roller Latch model is designed with adjustable roller projection to fit different door/frame gap
- Successfully type-tested internally for conformity to all of requirement of EN12209:2003



### Forend and Strike Finishes

Satin Stainless Steel

\*Other finishes available upon request



### ML308501/ML309201 Sashlock/Entry

- 85/92mm Center
- 20mm Backset: ML308501-20  
ML309201-20
- 25mm Backset: ML308501-25  
ML309201-25
- 30mm Backset: ML308501-30  
ML309201-30
- 35mm Backset: ML308501-35  
ML309201-35



### ML308503/ML309203 Deadlock/Communicating

- 85/92mm Center
- 20mm Backset: ML308503-20  
ML309203-20
- 25mm Backset: ML308503-25  
ML309203-25
- 30mm Backset: ML308503-30  
ML309203-30
- 35mm Backset: ML308503-35  
ML309203-35



### ML308502/ML309202 Latch/Passage

- 85/92mm Center
- 20mm Backset: ML308502-20  
ML309202-20
- 25mm Backset: ML308502-25  
ML309202-25
- 30mm Backset: ML308502-30  
ML309202-30
- 35mm Backset: ML308502-35  
ML309202-35



### ML308507/ML309207 Roller Latch

- 85/92mm Center
- 20mm Backset: ML308507-20  
ML309207-20
- 25mm Backset: ML308507-25  
ML309207-25
- 30mm Backset: ML308507-30  
ML309207-30
- 35mm Backset: ML308507-35  
ML309207-35

# UNITY MORTICE LOCK

## Narrow Mortice Lock ML30 Series

### Available Functions

#### ML308501/ML309201

##### Function

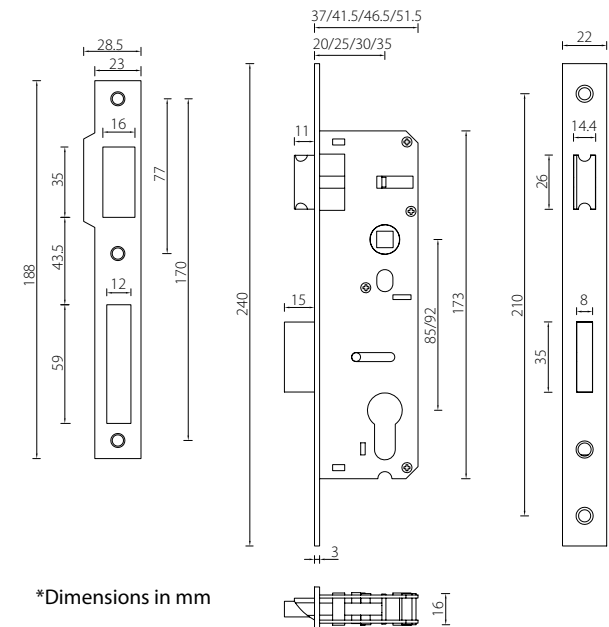
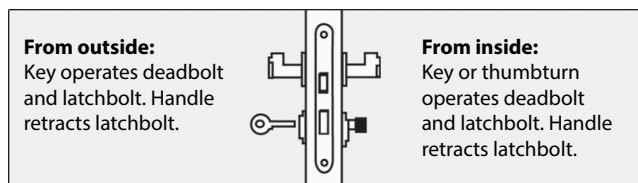
Sashlock/Entry

##### Application

Suitable for latched doors requiring deadbolt locking security.



##### Illustration



\*Dimensions in mm

#### ML308502/ML309202

##### Function

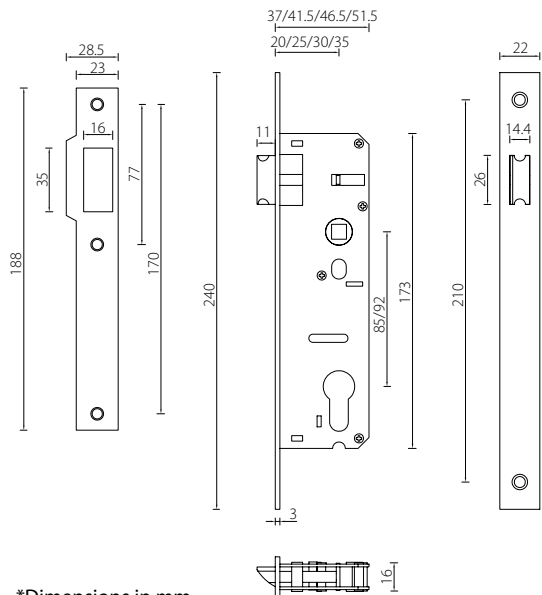
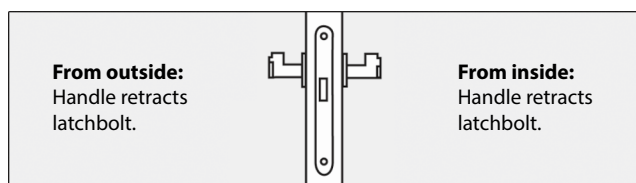
Latch/Passage

##### Application

Suitable for latched doors remaining unlocked at all time



##### Illustration



\*Dimensions in mm

# UNITY MORTICE LOCK

## Narrow Mortice Lock ML30 Series

### Available Functions

#### ML308503/ML309203

##### Function

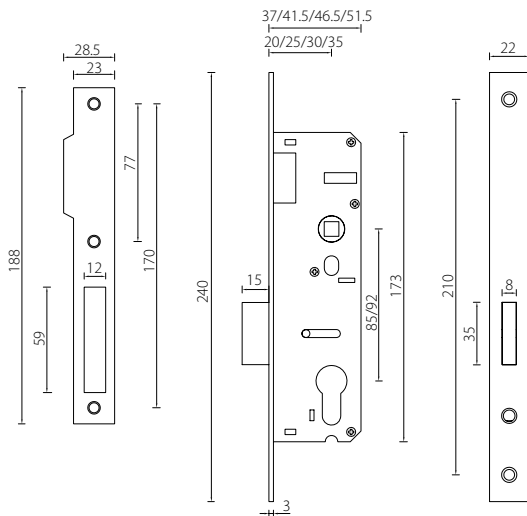
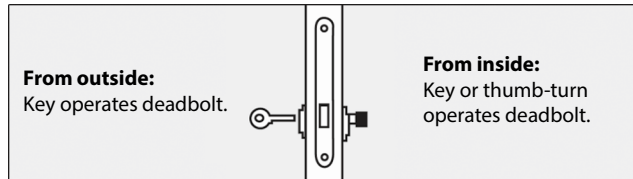
Deadlock/Communicating

##### Application

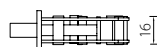
Suitable for unlatched doors with deadbolt locking security.



##### Illustration



\*Dimensions in mm



#### ML308507/ML309207

##### Function

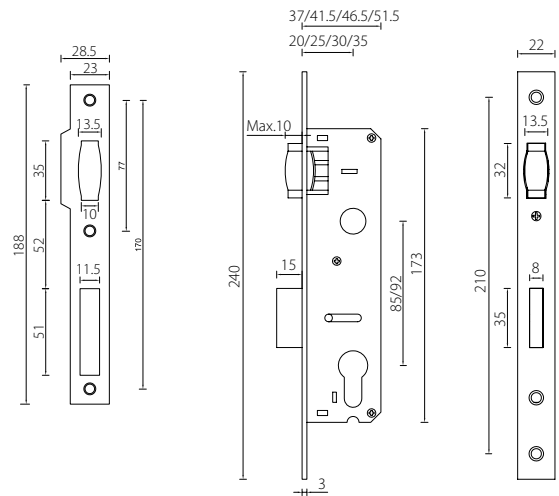
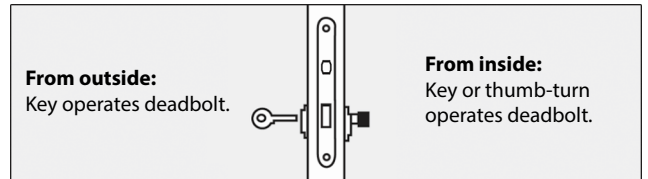
Roller Latch (Adjustable)

##### Application

Suitable for doors requiring roller bolt latching. Security provided by deadbolt locking.



##### Illustration

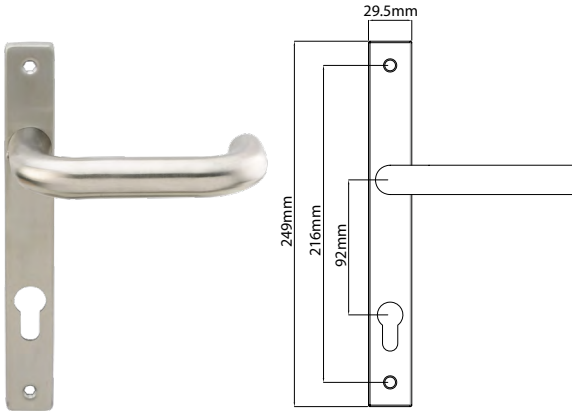


\*Dimensions in mm

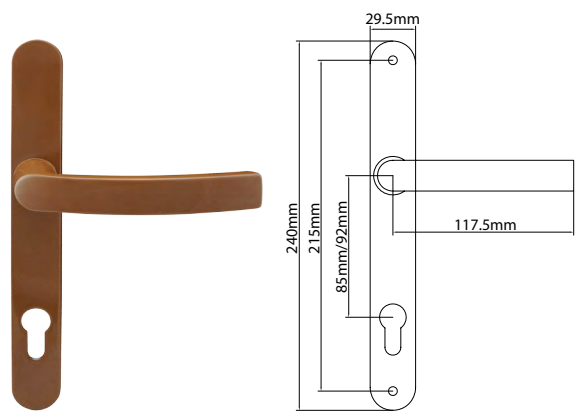
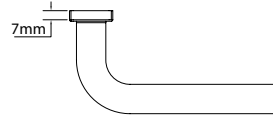


# UNITY MORTICE LOCK

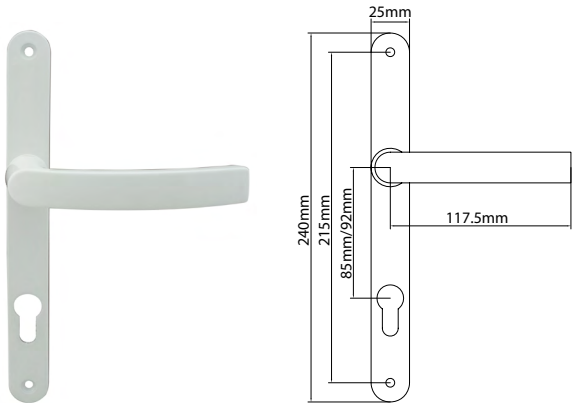
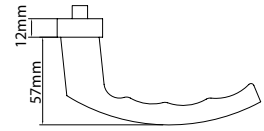
## Narrow Mortice Lock ML30 Series Available Levers



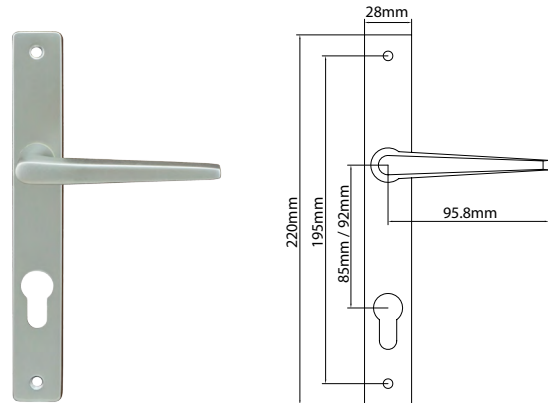
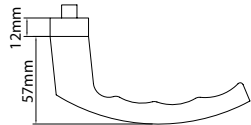
**SP04 Plate**  
SP04SL01-32D  
Stainless Steel Satin



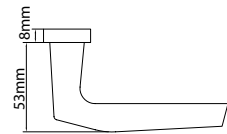
**AP03 Plate**  
AP03ALX1-BN  
Aluminum Powder  
Coated Brown



**AP04 Plate**  
AP04ALX1-WH  
Aluminum Powder  
Coated White



**AP09 Plate**  
AP09ALX2-F1  
Aluminum Silver



# UNITY

14th Floor North Block, 77 Mu Xu Yuan Street, Nanjing 210007, P.R. CHINA

TEL: +86.25.86932520 FAX: +86.25.86932510

Website: <http://www.unityhardware.com>, <http://unityhardware.en.alibaba.com>

Email: [sales@unityhardware.com](mailto:sales@unityhardware.com)