

UNITY DOOR HINGE



UNITY DOOR HINGE

Euro Mortice Hinge HB Series

Application

UNITY Mortice Hinge HB Series is perfect for high frequency usage such as public buildings and commercial offices where potential misuse or deliberate abuse likely take place

Specifications and Features

- AISI304 stainless steel material for high corrosion resistance (AISI316 material available on request)
- Hardened Ball Bearings
- Square and radius corner version available (radius corner version improves the door prep precision and efficiency with machined routing)
- Template drilled for easy installation and retrofitting purpose
- Designed for metal or timber fire rate door set
- Dogbolt version optional for enhanced security
- Suitable for wide range of door thickness/weight (up to 120kg)
- Supplied with CSK stainless steel screws

Standards and Certification



Successfully type-tested for conformity to all requirements of EN1935: 2002



Successfully passed and exceeded 240-minutes fire test of metal fire door assemblies to EN1634-1: 2014



CE Declaration of Conformity available upon request



UNITY HB series hinges are approved by Certifire.* Certifire No. CF735



Successfully passed 180-minutes fire test of fire resistant door and frame to UBC 7-2 (1997); NFPA 252 (2008); UL 10 (b) Revision 1 (2009); UL 10 (c) (2009); CAN/ULC S104 (2010); NFPA 252 (2012), Certificate No. WH13-18485801



All EN/CE/Certifire tests performed independently and certified by Exova/Warrington Fire/Warrington APT. Test report/certificate available upon request.



All UL/UBC/NFPA tests performed independently and certified by Intertek Testing Services NA, Inc.

* Certifire is an independent third party certification scheme that assures performance, quality and traceability of fire protection products



EN1935: 2002 Classifications

Standard Hinges

4	7	6	1*	1	4	0	13
---	---	---	----	---	---	---	----

Dogbolt Hinges

4	7	6	1*	1	4	1	13
---	---	---	----	---	---	---	----

* Provided they are fitted in accordance with the guidelines detailed in IFCA/06252

Finishes:

- Satin Stainless Steel (US32D/630)
- Polished Stainless Steel (US32/629)
- Satin PVD Titanium
- Bright PVD Titanium

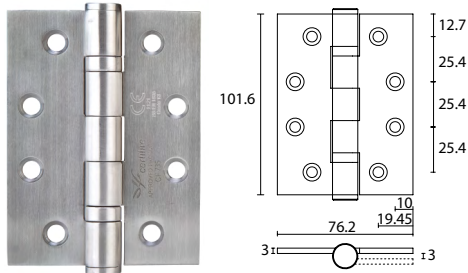
*Other finishes available on request

UNITY DOOR HINGE

Available Models

HB403030

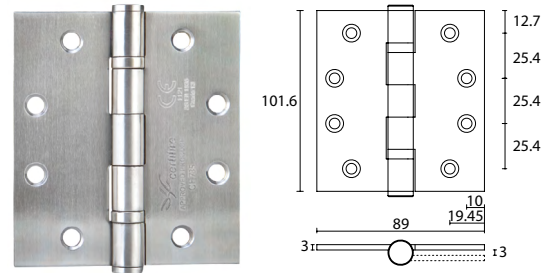
UNITY Hinge 4" x 3" x 3mm - Square Corner



* Dimensions in mm

HB403530

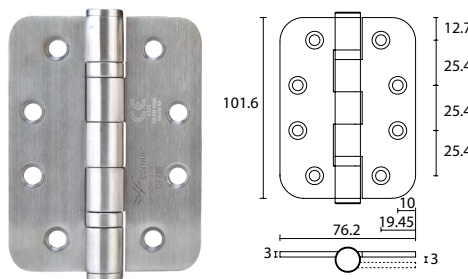
UNITY Hinge 4" x 3.5" x 3mm - Square Corner



* Dimensions in mm

HB403030R

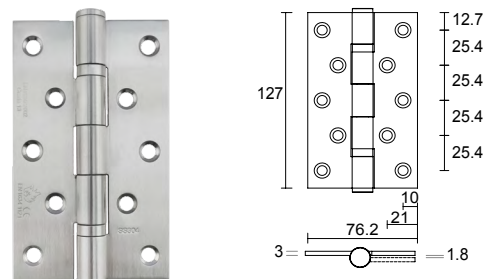
UNITY Hinge 4" x 3" x 3mm - Radius Corner



* Dimensions in mm

HB503030

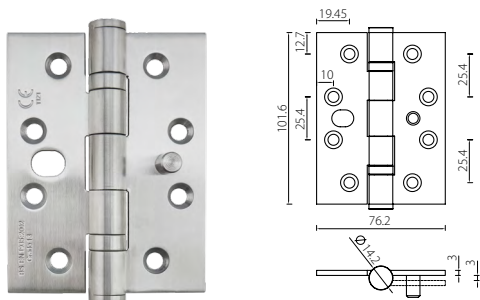
UNITY Hinge 5" x 3" x 3mm - Square Corner



* Dimensions in mm

HB403030-DG

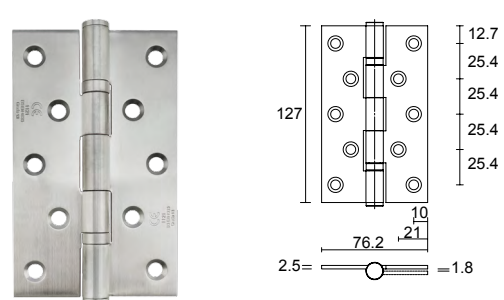
UNITY Hinge 4" x 3" x 3mm - Square Corner - With Dog Bolt



* Dimensions in mm

HB503025

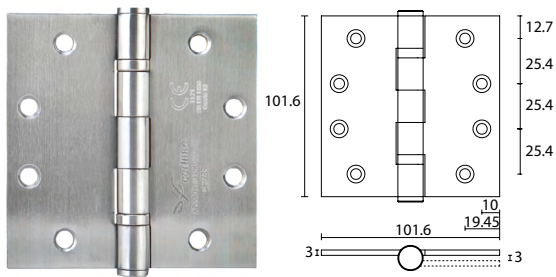
UNITY Hinge 5" x 3" x 2.5mm - Square Corner



* Dimensions in mm

HB404030

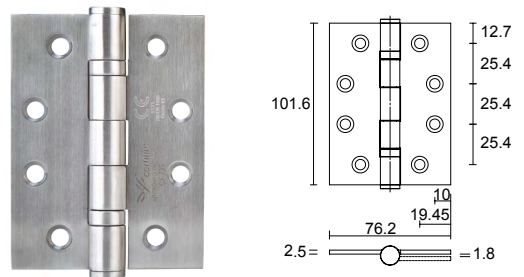
UNITY Hinge 4" x 4" x 3mm - Square Corner



* Dimensions in mm

HB403025

UNITY Hinge 4" x 3" x 2.5mm - Square Corner



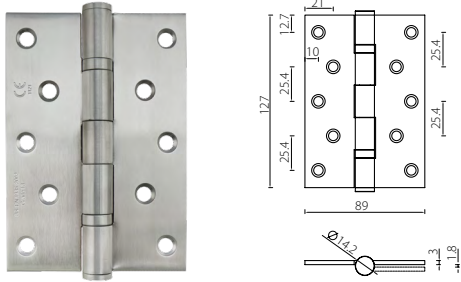
* Dimensions in mm

UNITY DOOR HINGE

Available Models

HB503530

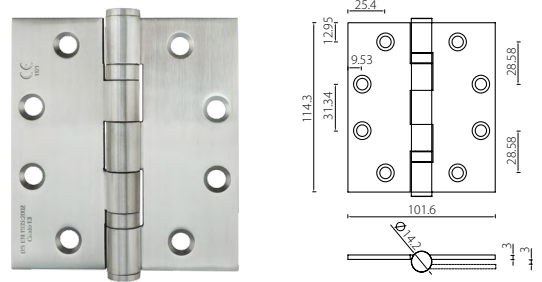
UNITY Hinge 5" x 3.5" x 3mm - Square Corner



* Dimensions in mm

HB454030

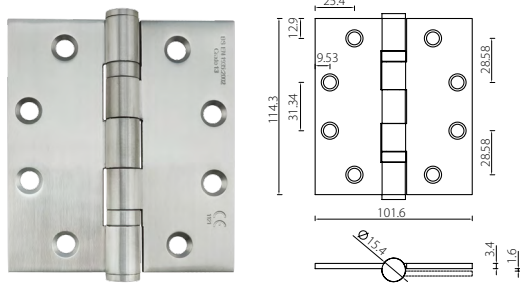
UNITY Hinge 4.5" x 4" x 3mm - Square Corner



* Dimensions in mm

HB454034

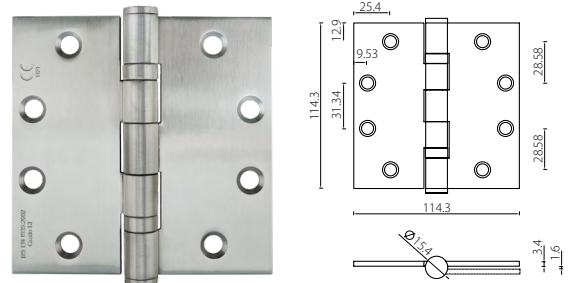
UNITY Hinge 4.5" x 4" x 3.4mm - Square Corner



* Dimensions in mm

HB454534

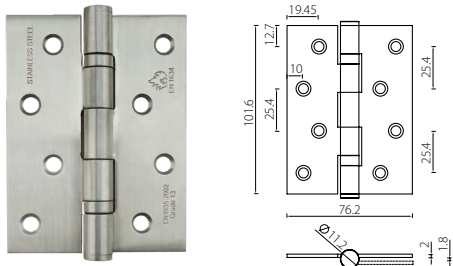
UNITY Hinge 4.5" x 4.5" x 3.4mm - Square Corner



* Dimensions in mm

HB403020

UNITY Hinge 4" x 3" x 2mm - Square Corner



Classification:

4	7	6	1*	1	4	0	10
---	---	---	----	---	---	---	----

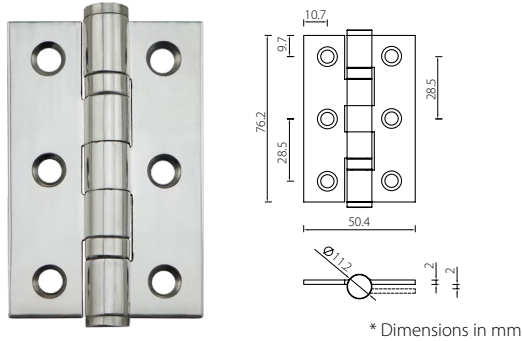
* Dimensions in mm

UNITY DOOR HINGE

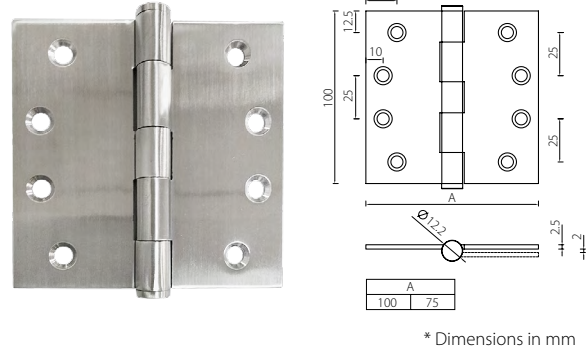
Other HB Mortice Hinge

HB302020

UNITY Hinge 3" x 2" x 2mm - Square Corner



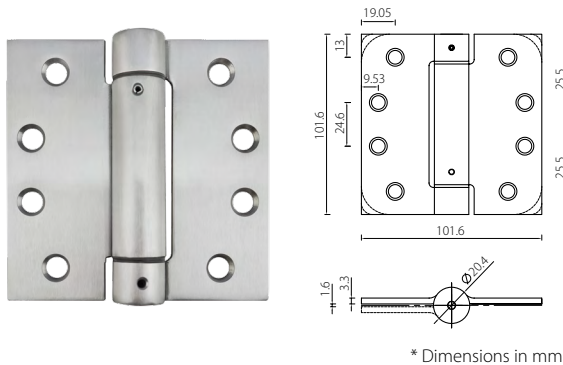
Plain Bearing Butt Hinge HP Series



Item No.	L (mm)	W (mm)	Thickness (mm)	Door Mass (kg)
HP403030	100	75	2.5	60
HP404030	100	100	2.5	60

Standard Finish: Satin Stainless Steel

Spring Hinge – Single Action HSP404033



Item No.	L (mm)	W (mm)	Thickness (mm)	Door Mass (kg)
HSP404033	102	102	3.3	80

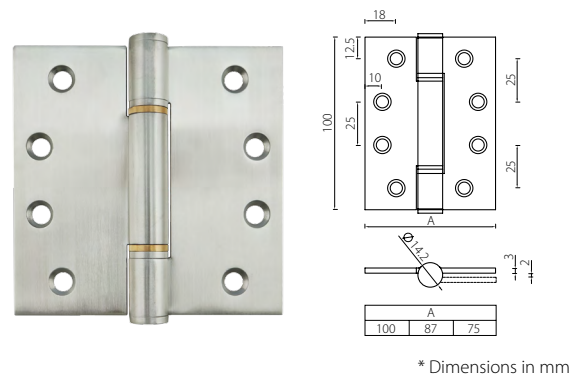
Standard Finish: Satin Stainless Steel

Heavy Duty Butt Hinge HD Series

- Designed for high frequency commercial door application requiring low maintenance.
- AISI304 stainless steel material for high corrosion resistance (AISI316 material available on request)
- Self lubricating phosphor bronze bearing
- Successfully type-tested for conformity to all requirements of EN1935: 2002 including 200,000 cycle test to 120kg door
- Extra welding of the caps to prevent tempering

Item No.	L (mm)	W (mm)	Thickness (mm)	Door Mass (kg)
HD404030	100	100	3.0	120
HD403530	100	87	3.0	120
HD403030	100	75	3.0	120

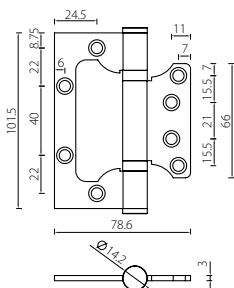
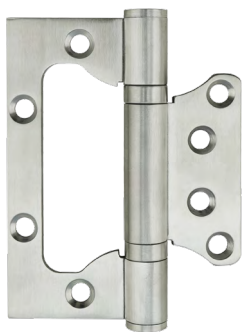
Standard Finish: Satin Stainless Steel



UNITY DOOR HINGE

Flush Hinge HF Series

HFS4030



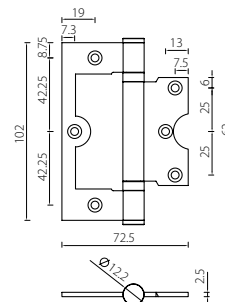
* Dimensions in mm

Item No.	L (mm)	W (mm)	Thickness (mm)	Door Mass (kg)
HFS4030	102	78	3.0	60

Standard Finish: Satin Stainless Steel

Flush Hinge HF Series

HFS4025



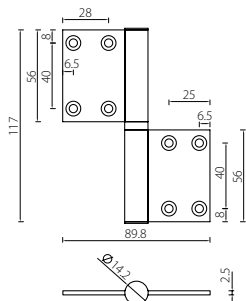
* Dimensions in mm

Item No.	L (mm)	W (mm)	Thickness (mm)	Door Mass (kg)
HFS4025	102	72	2.5	40

Standard Finish: Satin Stainless Steel

Flag Hinge HFG Series

HFG453525



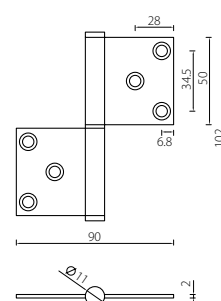
* Dimensions in mm

Item No.	L (mm)	W (mm)	Thickness (mm)	Door Mass (kg)
HFG453525	117	89	2.5	60

Standard Finish: Satin Stainless Steel

Flag Hinge HFG Series

HFG403520



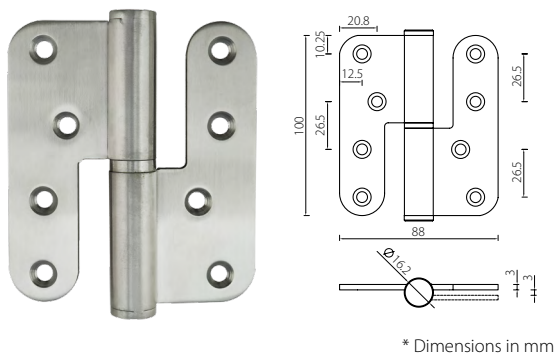
* Dimensions in mm

Item No.	L (mm)	W (mm)	Thickness (mm)	Door Mass (kg)
HFG403520	102	89	2.0	40

Standard Finish: Satin Stainless Steel

UNITY DOOR HINGE

Lift off Hinge – L type HLL1008830

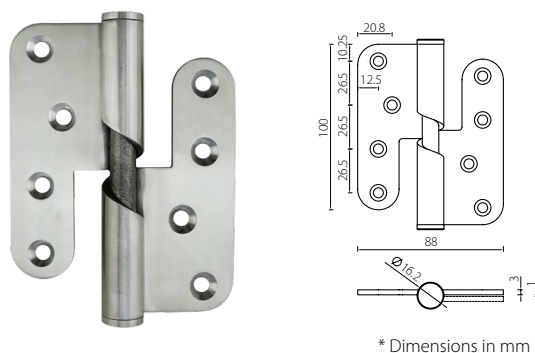


* Dimensions in mm

Item No.	L (mm)	W (mm)	Thickness (mm)	Door Mass (kg)
HLL1008830	100	88	3.0	60

Standard Finish: Satin Stainless Steel

Lift off Hinge – L type rising HLR1008830

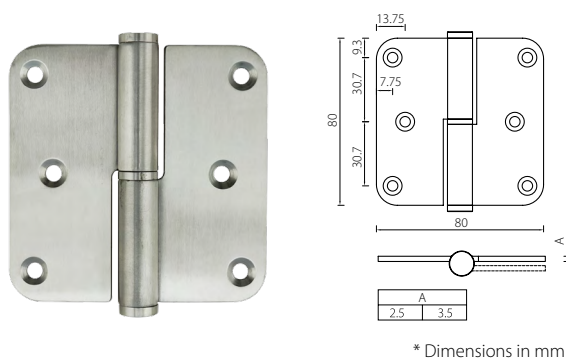


* Dimensions in mm

Item No.	L (mm)	W (mm)	Thickness (mm)	Door Mass (kg)
HLR1008830	100	88	3.0	60

Standard Finish: Satin Stainless Steel

Lift off Hinge – L type HLL8080 Series

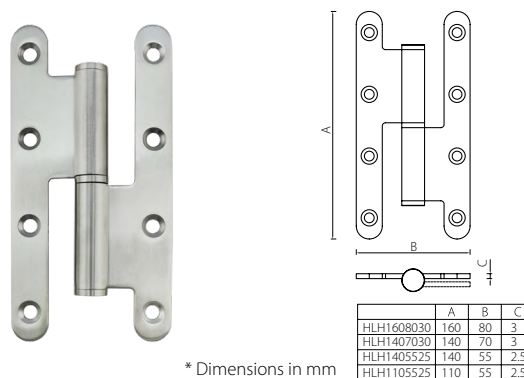


* Dimensions in mm

Item No.	L (mm)	W (mm)	Thickness (mm)	Door Mass (kg)
HLL808025	80	80	2.5	40
HLL808035	80	80	3.5	60

Standard Finish: Satin Stainless Steel

Lift off Hinge – H type HLH Series



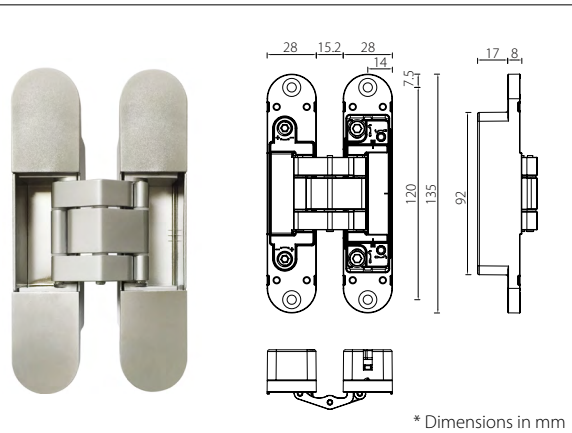
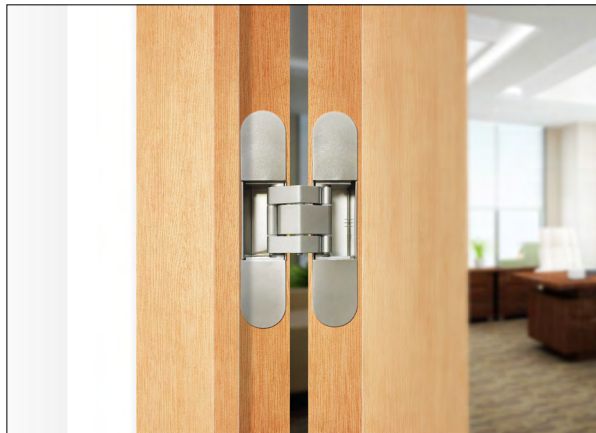
* Dimensions in mm

Item No.	L (mm)	W (mm)	Thickness (mm)	Door Mass (kg)
HLH1608030	160	80	3.0	60
HLH1407030	140	70	3.0	60
HLH1405525	140	55	2.5	40
HLH1105525	110	55	2.5	40

Standard Finish: Satin Stainless Steel

UNITY DOOR HINGE

3D Adjustable Concealed Hinge HAC206



Application

UNITY HAC206 3D Concealed Hinges are designed for commercial and residential applications

Material

Zinc Alloy

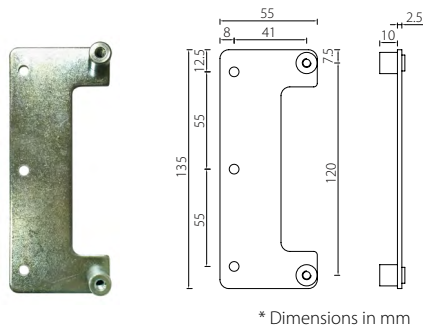
Specification and Features

- Suitable for timber/wood, steel and aluminum frame doors
- Wide 3 dimensional adjustment tolerance for more flexible installation
- Non handled installation
- Matching cover plate for concealed fixing

Available Finishes

- Satin Chrome (SC)
- Bright Chrome (BC)
- Satin Nickel (SN)
- * Other finishes available on request

Mounting Plate



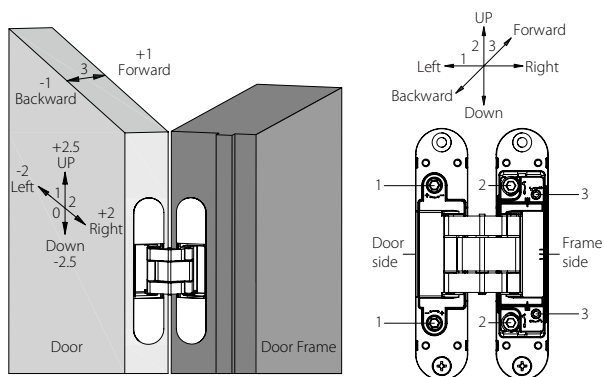
Technical Data

- Max. door weight (with 2 hinges): 60kgs
- Min. door thickness: 38mm
- Max. door width: 1000mm
- Max. door height: 2100mm
- Max. opening angle: 180°

Standards and Tests

- High Corrosion Resistance tested according to EN1670:2007
- 200,000 cycles tested on 60kg door mass according to EN1935: 2002

Adjustment



1. Horizontal adjustment (X Axis): (-2mm, +2mm)
2. Vertical adjustment (Y Axis): (-2.5mm, +2.5mm)
3. Depth adjustment (Z Axis): (-1mm, +1mm)

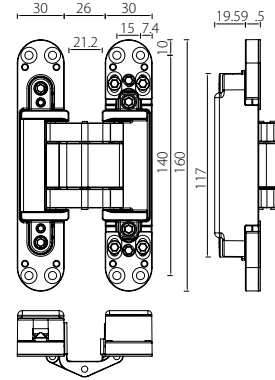
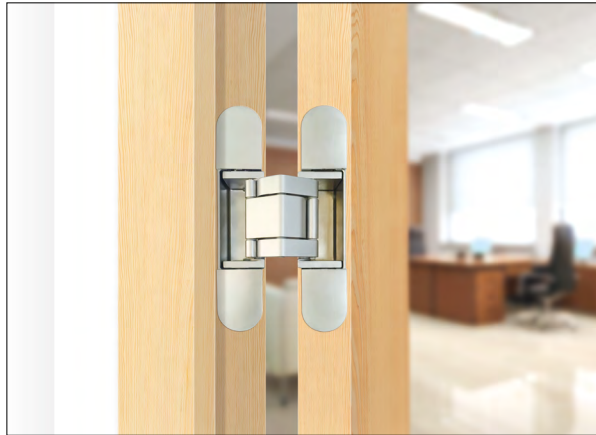
* Please DO NOT make more than one full turn (Max. 360°) of adjustment screws

* Please make sure every hinge on the door is properly loosened before making adjustment

* Improper adjustment of the hinge may affect overall performance or cause damage to the hinges, door, or frame.

UNITY DOOR HINGE

3D Adjustable Concealed Hinge HAC208



* Dimensions in mm

Application

UNITY HAC208 3D Concealed Hinges are designed for commercial and residential applications

Material

Zinc Alloy

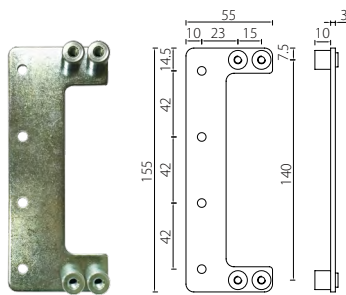
Specification and Features

- Suitable for timber/wood, steel and aluminum frame doors
- Wide 3 dimensional adjustment tolerance for more flexible installation
- Non handled installation
- Matching cover plate for concealed fixing

Available Finishes

- Satin Chrome (SC)
- Bright Chrome (BC)
- Satin Nickel (SN)
- * Other finishes available on request

Mounting Plate



* Dimensions in mm

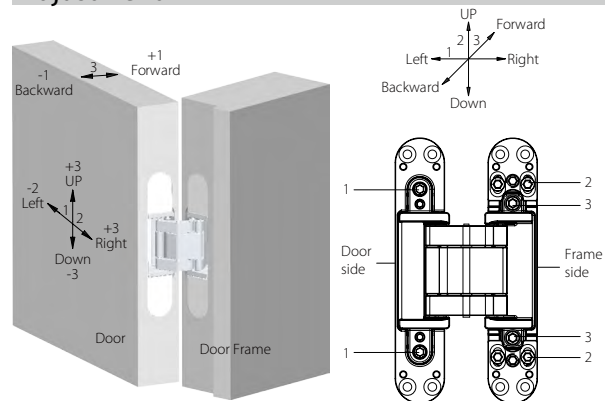
Technical Data

- Max. door weight (with 2 hinges): 80kgs
- Min. door thickness: 48mm
- Max. door width: 1000mm
- Max. door height: 2100mm
- Max. opening angle: 180°

Standards and Tests

- High Corrosion Resistance tested according to EN1670:2007
- 200,000 cycles tested on 80kg door mass according to EN1935: 2002

Adjustment

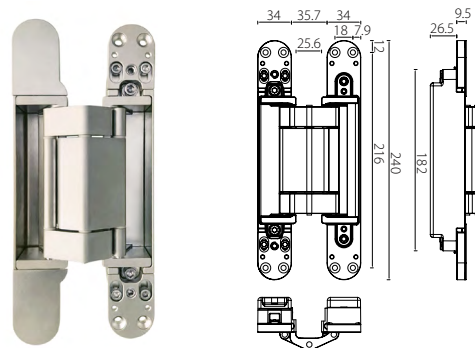
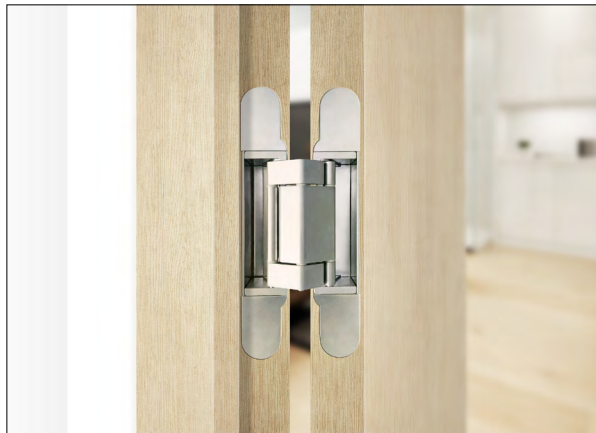


1. Horizontal adjustment (X Axis): (-2mm, +3mm)
2. Vertical adjustment (Y Axis): (-3mm, +3mm)
3. Depth adjustment (Z Axis): (-1mm, +1mm)

- * Please DO NOT make more than one full turn (Max. 360°) of adjustment screws
- * Please make sure every hinge on the door is properly loosened before making adjustment
- * Improper adjustment of the hinge may affect overall performance or cause damage to the hinges, door, or frame.

UNITY DOOR HINGE

3D Adjustable Concealed Hinge HAC216



* Dimensions in mm

Application

UNITY HAC216 3D Concealed Hinges are designed for heavy duty commercial and residential applications

Material

Zinc Alloy

Specification and Features

- Suitable for timber/wood, steel and aluminum frame doors
- Wide 3 dimensional adjustment tolerance for more flexible installation
- Non handled installation
- Matching cover plate for concealed fixing

Available Finishes

- Satin Chrome (SC)
- Bright Chrome (BC)
- Satin Nickel (SN)
- * Other finishes available on request

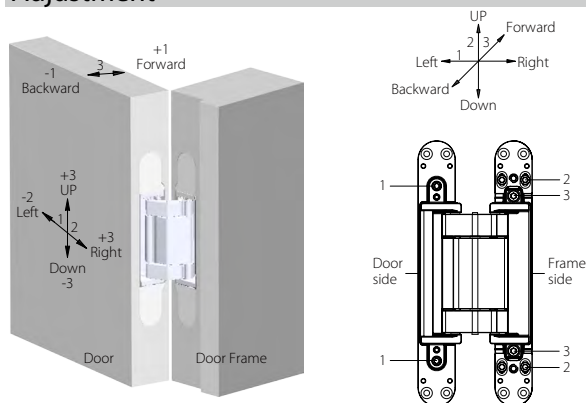
Technical Data

- Max. door weight (with 2 hinges): 160kgs
- Min. door thickness: 60mm
- Max. door width: 1200mm
- Max. door height: 2400mm
- Max. opening angle: 180°

Standards and Tests

- High Corrosion Resistance tested according to EN1670:2007
- 200,000 cycles tested on 160kg door mass according to EN1935: 2002

Adjustment



1. Horizontal adjustment (X Axis): (-2mm, +3mm)
2. Vertical adjustment (Y Axis): (-3, +3mm)
3. Depth adjustment (Z Axis): (-1mm, +1mm)

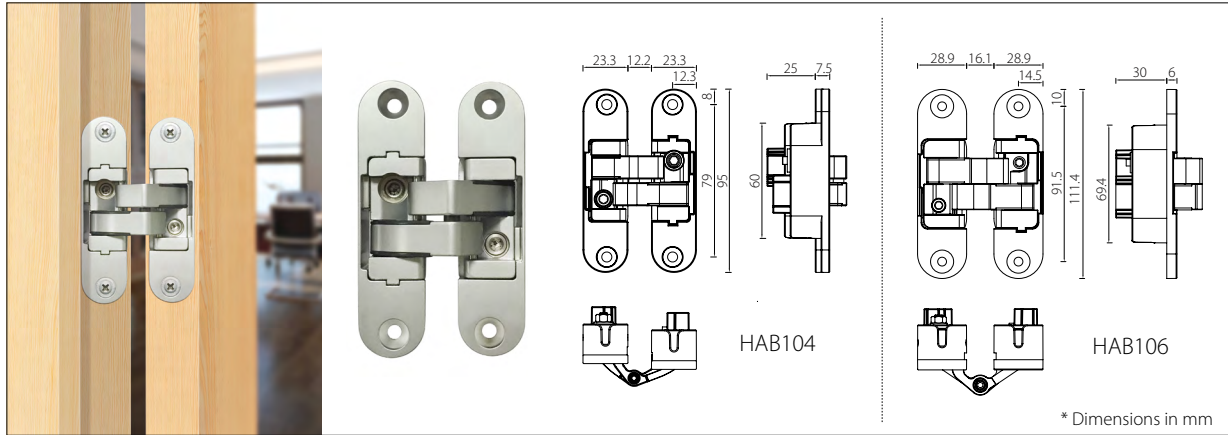
* Please DO NOT make more than one full turn (Max. 360°) of adjustment screws

* Please make sure every hinge on the door is properly loosened before making adjustment

* Improper adjustment of the hinge may affect overall performance or cause damage to the hinges, door, or frame.

UNITY DOOR HINGE

3D Adjustable Concealed Hinge HAB10 Series



Material

Zinc Alloy

Specification and Features

- Suitable for timber/wood doors and frame
- 3 dimensional adjustment for better alignment between door and frame
- Handed installation; handing to be specified when ordering
- Visible mounting screws

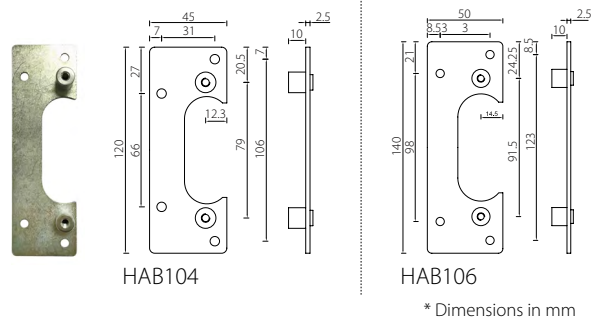
Standards and Tests

- High Corrosion Resistance tested according to EN1670:2007
- 200,000 cycles tested on respective door mass according to EN1935: 2002

Available Finishes

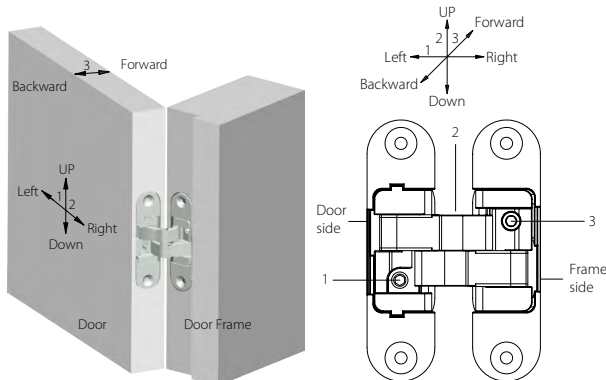
- Satin Chrome (SC) - Bright Chrome (BC) - Satin Nickel (SN)
- * Other finishes available on request

Mounting Plate



Technical Data

Item No.	Max. door weight (with 2 hinges)	Min. door thickness	Max. door width	Max. door height	Max. opening angle
HAB104	40kg	30mm	1000mm	2100mm	180°
HAB106	60kg	40mm	1000mm	2100mm	180°



	HAB104	HAB106
1. Horizontal adjustment (X Axis):	-1mm, +1mm	-1mm, +1mm
2. Vertical adjustment (Y Axis):	-1mm, +1mm	-1.5mm, +1.5mm
3. Depth adjustment (Z Axis):	-1mm, +1mm	-1mm, +1mm

- * Please DO NOT make more than one full turn (Max. 360°) of adjustment screws
- * Please make sure every hinge on the door is properly loosened before making adjustment
- * Improper adjustment of the hinge may affect overall performance or cause damage to the hinges, door, or frame.

UNITY DOOR HINGE

3D Adjustable Concealed Hinge HAD31 Series



* Dimensions in mm

Material

Stainless Steel

Specification and Features

- Suitable for timber/wood doors and frame
- 3 dimensional adjustment for better alignment between door and frame
- Non handed installation
- Mounting cover plate included

Available Finishes

- Satin Stainless Steel
- * Other finishes available on request

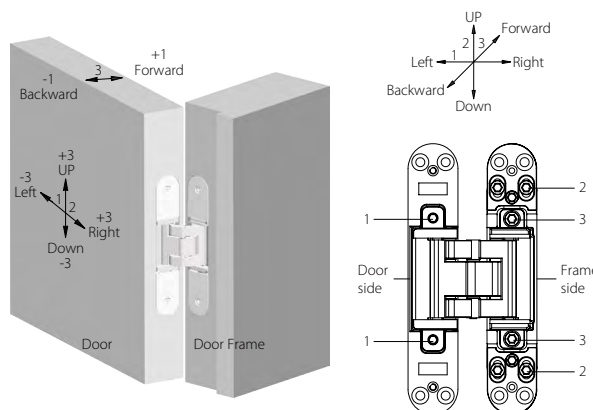
Technical Data

Item No.	Max. door weight (with 2 hinges)	Min. door thickness	Max. door width	Max. door height	Max. opening angle
HAD312	120kg	38mm	1000mm	2400mm	180°

Standards and Tests

- High Corrosion Resistance tested according to EN1670:2007
- 200,000 cycles tested on respective door mass according to EN1935: 2002

Adjustment



	HAD312
1. Horizontal adjustment (X Axis):	-3mm, +3mm
2. Vertical adjustment (Y Axis):	-3mm, +3mm
3. Depth adjustment (Z Axis):	-1mm, +1mm

- * Please DO NOT make more than one full turn (Max. 360°) of adjustment screws
- * Please make sure every hinge on the door is properly loosened before making adjustment
- * Improper adjustment of the hinge may affect overall performance or cause damage to the hinges, door, or frame.

UNITY

14th Floor North Block, 77 Mu Xu Yuan Street, Nanjing 210007, P.R. CHINA

TEL: +86.25.86932520 FAX: +86.25.86932510

Website: <http://www.unityhardware.com>, <http://unityhardware.en.alibaba.com>

Email: sales@unityhardware.com