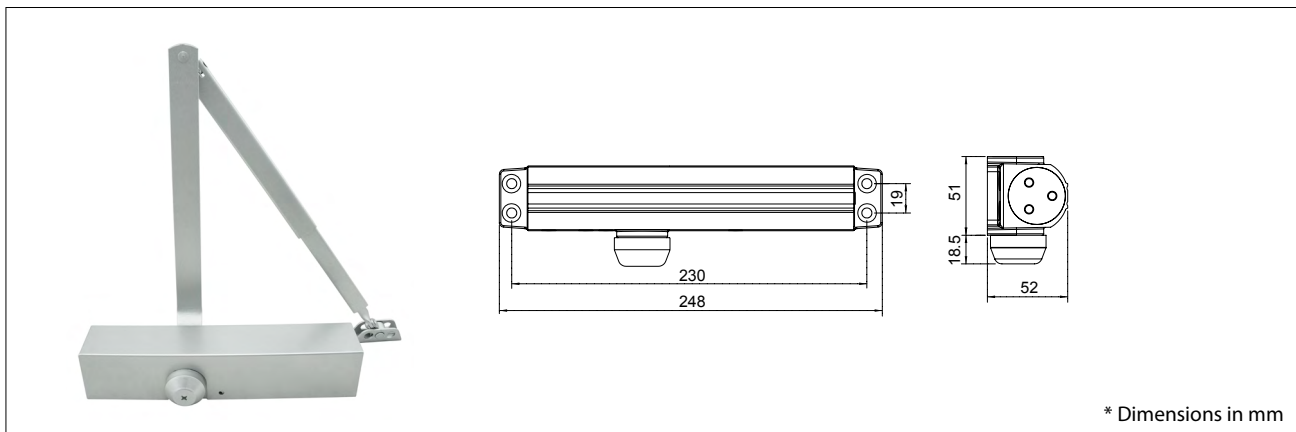


UNITY DOOR CLOSER



UNITY DOOR CLOSER

DC4025 Series Door Closer



Material

Aluminum Alloy Pressure Die-Cast

Application

INOX DC4025 is a mainstream overhead door closer suitable for both interior and exterior door type.

Standards and Certification

EN

Successfully type-tested for conformity to all of the requirements of EN1154:1996/A1:2002/AC:2006 including the additional requirements for latch action /backcheck / adjustable closing force.



Successfully passed 60 minutes fire test of metal door assemblies to EN1634:2008

CE

CE Marking: CE Declaration of Conformity available on request



All tests performed independently and certified by Intertek Testing and Certification Ltd. at UK

EN1154 Classification

4	8	4	1	1	3
		2			

Finishes

- Silver
- White
- Black
- Gold
- Other finishes available on request

Specification and Features

- Full Rack and Pinion Construction

Heat-treated rack and pinion immersed in high grade oil to give a smooth action and minimum wear and tear

- Adjustable Power Size (EN2 – EN5)

Power Size can be adjustable by spring valve according to door width and weight variation.

DC4025	EN2	EN3	EN4	EN5
Max. Door Width (mm)	850	950	1100	1250
Max. Door Weight (kgs)	40	60	50	100
Max. Opening Angle	180°	180°	150°	120°

- Non Handed

DC4025 can be universally fitted on both left and right handed swing door

- Flexible Mounting Position

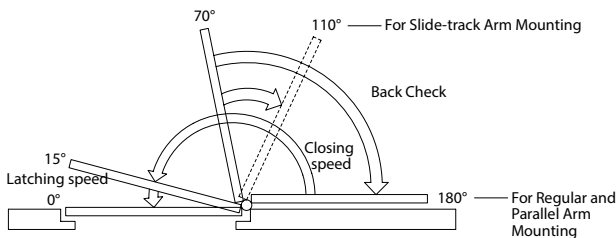
DC4025 can be installed on both pull and push side of door and can be fitted and both door and frame.

- Adjustable Latch and Closing Speed

DC4025 is supplied with hydraulic controlled valves to adjust latch and closing speed.

- Adjustable Backcheck

Backcheck feature set and adjusted by an independent valve to protect doorset from violent opening.



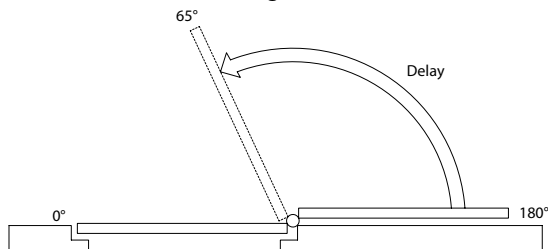
UNITY DOOR CLOSER

DC4025 Series Door Closer

Optional Features

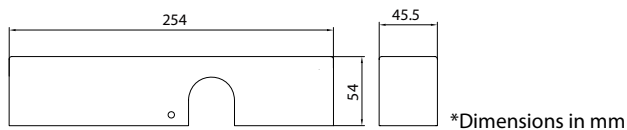
- Delayed Action

Additional adjustable valve can be included to allow additional time before closing.



- Closer Cover: DCCV40

Metal cover available to cover mounting screw holes and create a clean appearance



- Door Hold-Open

Hold-Open arm allows the door to be held open at a preset angle for special occasion

- Slide-track Arm Mounting

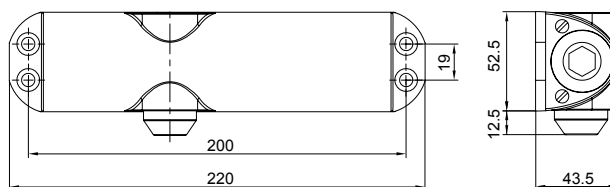
Slide-track arm mounting allows minimum overall projection of closer from door, which provides greater safety, smoother operation and more appealing aesthetics

DC4025 Item List

Item No.	Description
DC4025	Door Closer with Standard Arm and BackCheck
DC4025DA	DC4025 with Delayed Action
DC4025ST	DC4025 with Slide-track Arm
DC4025DAST	DC4025 with Slide-track Arm and Delayed Action
DC4025HO	DC4025 with Hold Open Arm
-FMT	Add FMT suffix for order with DCCV40 cover

UNITY DOOR CLOSER

DC3003 Series Door Closer



* Dimensions in mm

Material

Aluminum Alloy Pressure Die-Cast

Application

INOX DC3003 is an overhead door closer suitable for standard to medium weight doors for both interior or exterior application.

Standards and Certification

EN

Successfully type-tested for conformity to all of the requirements of EN1154:1996/A1:2002/AC:2006 including the additional requirements for latch action /backcheck / adjustable closing force.



Fire Safety: Successfully tested on fire door assemblies according to EN1634-1

CE

CE Marking: CE Declaration of Conformity available on request



Fire Safety: Successfully tested on fire door assemblies according to UL 10C



All tests performed independently and certified by Intertek Testing and Certification Ltd. at UK

EN1154 Classification

4	8	3	1	1	3
---	---	---	---	---	---

Specifications and Features

- Slim Design

DC3003 has a compact size with minimized projection allowing installation to door's adjacent return wall

- Full Rack and Pinion Construction

Heat-treated rack and pinion immersed in high grade oil for smooth action and minimum wear and tear

- Selectable Power Size by Mounting Position (EN2, 3, 4)

DC3003	EN2	EN3	EN4
Max. Door Width (mm)	850	950	1050
Max. Door Weight (kgs)	40	60	75
Max. Opening Angle	180°	180°	100°

- Non Handed

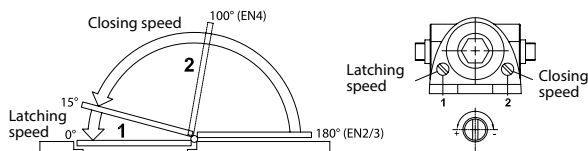
DC3003 can be universally fitted on both left and right handed swinging doors

- Flexible Mounting Position

DC3003 can be installed on both pull and push side of door and can be fitted on both door and frame

- Adjustable Latching and Closing Speed

DC3003 is supplied with hydraulic controlled valves to adjust latching and closing speed



Finishes

In Stock:

- AL = Aluminum Painted
- WH = White Painted
- BK = Black Painted
- GD = Gold Painted
- Other finishes available on request

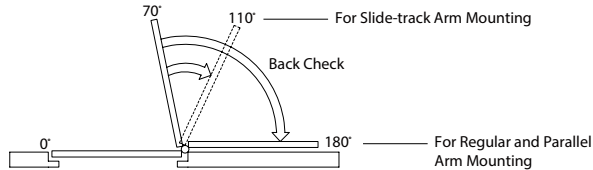
UNITY DOOR CLOSER

DC3003 Series Door Closer

Optional Features

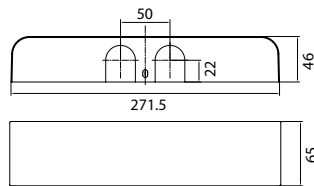
- Adjustable Backcheck

Backcheck feature set and adjusted by an independent valve to protect doorset from violent opening.



- Closer Cover: DCCV30

Metal cover available to cover mounting screw holes and create a clean appearance.



- Slide-track Arm Mounting

Slide-track arm mounting allows minimum overall projection of closer from door, which provides greater safety, smoother operation and more appealing aesthetics.

- Door Hold-Open

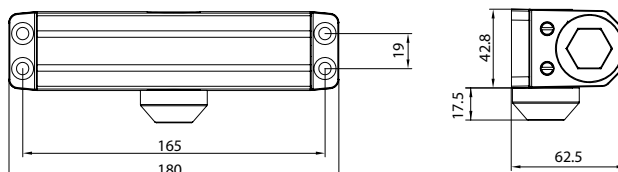
Hold-Open arm allows door to be held open at a preset angle

DC3003 Item List

Item No.	Description
DC3003	Door Closer with Standard Arm
DC3003BC	DC3003 with BackCheck
DC3003ST	DC3003 with Slide-track Arm
DC3003BCST	DC3003 with Slide-track Arm and BackCheck
DC3003HO	DC3003 with Hold Open Arm
-FMT	Add FMT suffix for order with DCCV30 cover

UNITY DOOR CLOSER

DC2003 Series Door Closer



* Dimensions in mm

Material

Aluminum Alloy Pressure Die-Cast

Application

INOX DC2003 is a cost effective overhead door closer suitable for light duty commercial application.

Standards and Certification

EN

Successfully type-tested for conformity to all of the requirements of EN1154:1996/A1:2002/AC:2006 including the additional requirements for latch action/backcheck/adjustable closing force.



Fire Safety: Successfully tested on fire door assemblies according to EN1634-1

CE

CE Marking: CE Declaration of Conformity available on request



All tests performed independently and certified by Intertek Testing and Certification Ltd. at UK

EN1154 Classification

4	8	3	1	1	3
---	---	---	---	---	---

Available Finishes

- AL = Aluminum Painted
- WH = White Painted
- BK = Black Painted
- GD = Gold Painted
- Other finishes available on request

Specification and Features

- Rack and Pinion Construction

Heat-treated rack and pinion immersed in high grade oil to give a smooth action and minimum wear and tear

- Fixed Power Size EN3

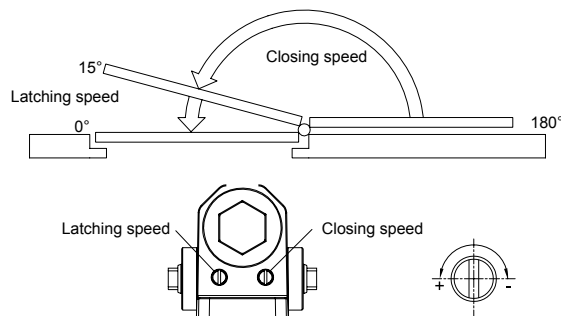
DC2003	EN3
Max. Door Width (mm)	950
Max. Door Weight (kgs)	60
Max. Opening Angle	180°

- Non Handed

DC2003 can be universally fitted on both left and right handed swing door

- Adjustable Latching and Closing Speed

DC2003 is supplied with hydraulic controlled valves to adjust latching and closing speed



DC2003 Item List

Item No.	Description
DC2003	Door Closer with Standard Arm

UNITY

14th Floor North Block, 77 Mu Xu Yuan Street, Nanjing 210007, P.R. CHINA

TEL: +86.25.86932520 FAX: +86.25.86932510

Website: <http://www.unityhardware.com>, <http://unityhardware.en.alibaba.com>

Email: sales@unityhardware.com